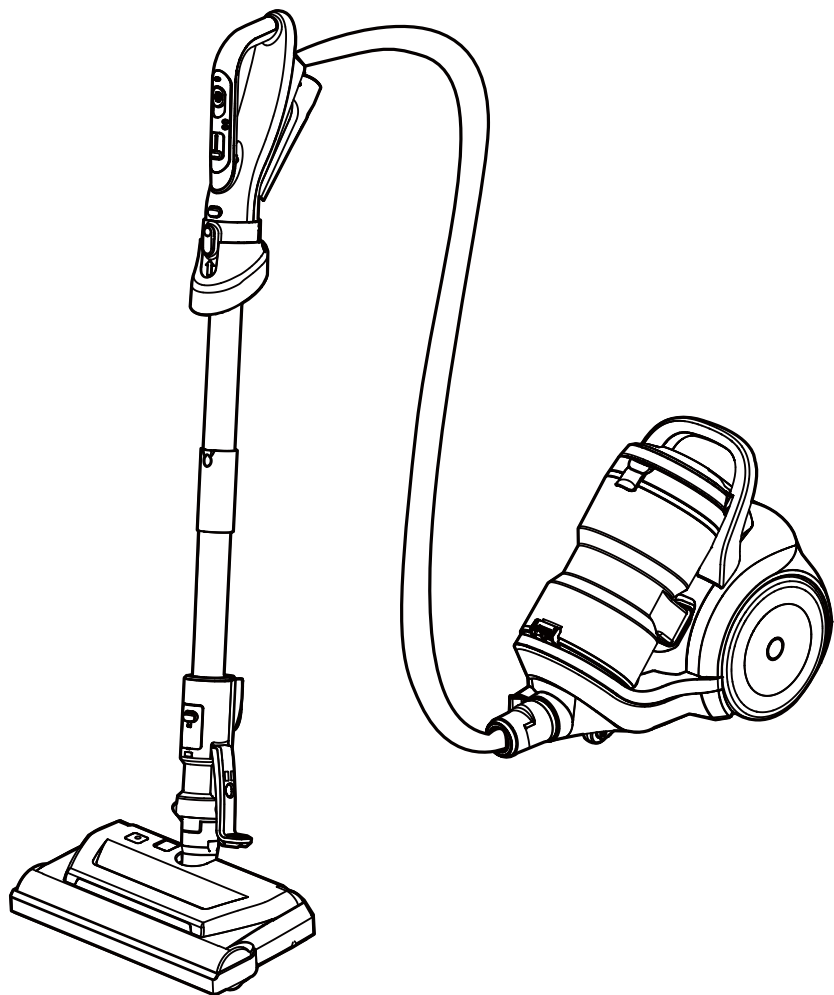


# TITAN

## User's Manual



TITAN T8000  
DELUXE CANISTER VACUUM

# TABLE OF CONTENTS

SECTION	PAGE
Before Using Your New Vacuum Cleaner.....	2
TITAN Vacuum Cleaner Warranty.....	3
Important Safety Instructions.....	4-5
Parts and Features.....	6-9
Assembly Instructions.....	9-11
Operating Instructions.....	12-21
Performance Features.....	22-23
Removing Clogs.....	24-32
Motorized Nozzle Care.....	33-44
Troubleshootig.....	45-47

## BEFORE USING YOUR NEW VACUUM CLEANER

Please read this guide. It will help you assemble and operate your new TITAN vacuum cleaner in the safest and most effective way.

You will need to register your vacuum by calling us at (844) 202-9924 or visiting us online at TitanVacs.com. Please have your model number and serial number available to complete the registration process.

Your vacuum cleaner's model and serial numbers are located on the label. Use the space below to record the model number and serial number of your new TITAN Vacuum cleaner.

Model No. \_\_\_\_\_

Serial No. \_\_\_\_\_

Date of Purchase \_\_\_\_\_

Keep this book and your sales check (receipt) in a safe place for future reference.

# TITAN VACUUM CLEANER WARRANTY

## TITAN LIMITED WARRANTY

FOR ONE YEAR from the date of sale this appliance is warranted against defects in material or workmanship when it is correctly installed, operated and maintained according to all supplied instructions.

WITH PROOF OF SALE, a defective appliance will receive free repair or replacement at option of seller.

This warranty applies for only 90 DAYS from the sale date if this appliance is ever used for other than private household purposes.

This warranty covers ONLY defects in material and workmanship, and will NOT pay for:

1. Expendable items that can wear out from normal use, including but not limited to filters and belts.
2. A service technician to clean or maintain this appliance, or to instruct the user in correct appliance installation, operation and maintenance.
3. Service calls to correct appliance installation not performed by Titan Vacuums authorized service agents, or to repair problems with house fuses, circuit breakers, house wiring, and plumbing or gas supply systems resulting from such installation.
4. Damage to or failure of this appliance resulting from installation not performed by Titan Vacuums authorized service agents, including installation that was not in accordance with electrical, gas or plumbing codes.
5. Damage to or failure of this appliance, including discoloration or surface rust, if it is not correctly operated and maintained according to all supplied instructions.
6. Damage to or failure of this appliance, including discoloration or surface rust, resulting from accident, alteration, abuse, misuse or use for other than its intended purpose.
7. Damage to or failure of this appliance, including discoloration or surface rust, caused by the use of detergents, cleaners, chemicals or utensils other than those recommended in all instructions supplied with the product.
8. Damage to or failure of parts or systems resulting from unauthorized modifications made to this appliance.
9. Service to an appliance if the model and serial plate is missing, altered, or cannot easily be determined to have the appropriate certification logo.

### **Disclaimer of implied warranties; limitation of remedies**

Customer's sole and exclusive remedy under this limited warranty shall be product repair or replacement as provided herein. Implied warranties, including warranties of merchantability or fitness for a particular purpose, are limited to one year or the shortest period allowed by law. Seller shall not be liable for incidental or consequential damages. Some states and provinces do not allow the exclusion or limitation of incidental or consequential damages, or limitation on the duration of implied warranties of merchantability or fitness, so these exclusions or limitations may not apply to you.

This warranty applies only while this appliance is used in the United States.

This warranty gives you specific legal rights, and you may also have other rights which vary from state to state.

# IMPORTANT SAFETY INSTRUCTIONS

**Read all instructions in this guide before assembling or using your vacuum cleaner.**



## **WARNING:**

Your safety is important to us. To reduce the risk of fire, electrical shock, injury to persons or damage when using your vacuum cleaner, follow basic safety precautions including the following:

1. Use your vacuum cleaner only as described in this guide. Use only with Titan Vacuums recommended attachments.
2. Disconnect electrical supply before servicing or cleaning out the brush area. Failure to do so could result in the electrical shock or brush suddenly starting.
3. Do not leave vacuum cleaner when plugged in. Unplug from outlet when not in use and before performing servicing.
4. To reduce the risk of electrical shock - Do not use outdoors or on wet surfaces.
5. Do not allow to be used as a toy. Close attention is necessary when used by or near children.
6. Do not use with a damaged cord or plug. If vacuum cleaner is not working as it should, has been dropped, damaged, left outdoors, or dropped in water, return it to a Titan Vacuums Service Center.
7. Do not pull or carry by cord, use cord as a handle, close a door on cord, or pull cord around sharp edges or corners. Do not run vacuum cleaner over cord. Keep cord away from heated surfaces.
8. Do not unplug by pulling on cord. To unplug, grasp the plug, not the cord.
9. Do not handle plug or vacuum cleaner with wet hands.
10. Do not put any objects into openings.
11. Do not use with any opening blocked; keep free of dust, lint, hair, and anything that may reduce air flow.
12. Keep hair, loose clothing, fingers, and all parts of body away from openings and moving parts.
13. Turn off all controls before unplugging.
14. Use extra care when cleaning on stairs.
15. Do not put on chairs, tables, etc. Keep on floor.
16. Do not use vacuum cleaner to pick up flammable or combustible liquids (gasoline, cleaning fluid, perfumes, etc.), or use in areas where they may be present. The fumes from these substances can create a fire hazard or explosion.
17. Do not pick up anything that is burning or smoking, such as cigarettes, matches, or hot ashes.
18. Do not use vacuum cleaner without dust cup and/or filters in place.
19. Always clean the dust cup after vacuuming carpet cleaners or freshener, powders, and fine dust. These products clog the filters, reduce airflow and can cause damage to the vacuum cleaner. Failure to clean the dust cup could cause permanent damage to the vacuum cleaner.

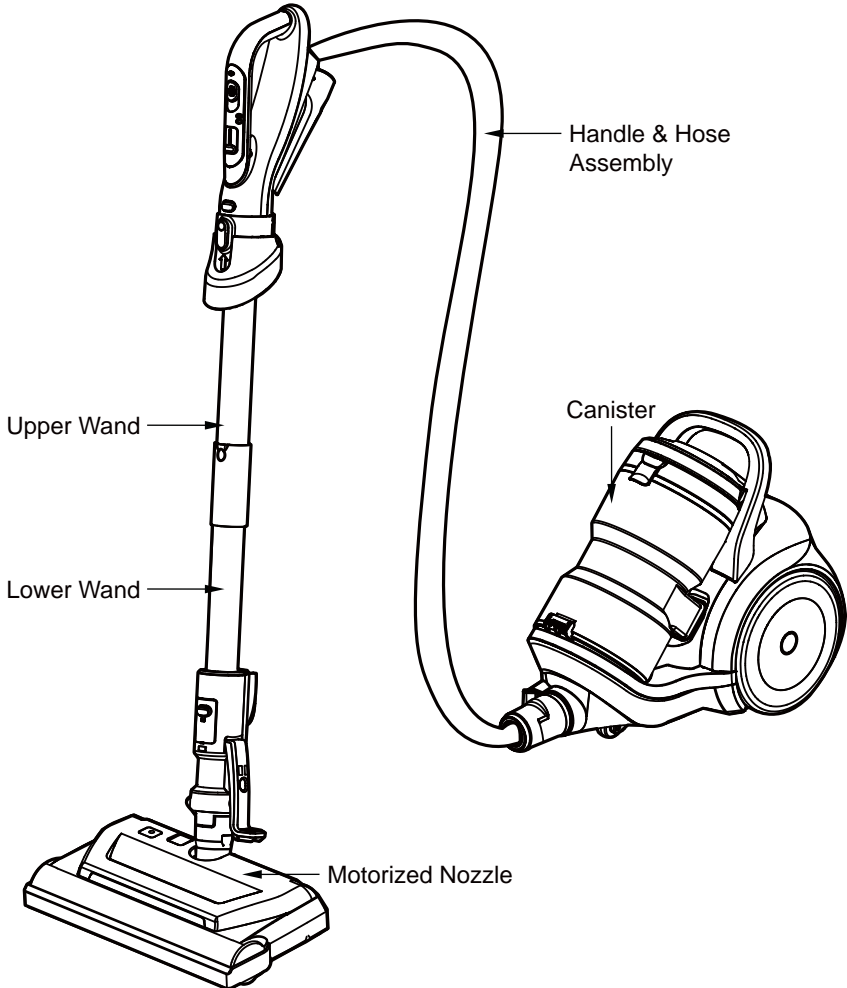
20. Do not use the vacuum cleaner to pick up sharp hard objects, small toys, pins, paper clips, etc. They may damage the vacuum cleaner.
21. Do not operate the vacuum cleaner without the exhaust filter or filter door in place. The hose contains electrical wires. Do not use when damaged, cut, or punctured. Replace if cut or worn. Do not pick up sharp objects.
22. Always turn off and unplug before connecting or disconnecting either hose, wand, pet pickup tool, or motorized nozzle.
23. Hold plug when rewinding onto cord reel. Do not allow plug to whip when rewinding.
24. You are responsible for making sure that your vacuum cleaner is not used by anyone unable to operate it properly.

## **SAVE THESE INSTRUCTIONS**

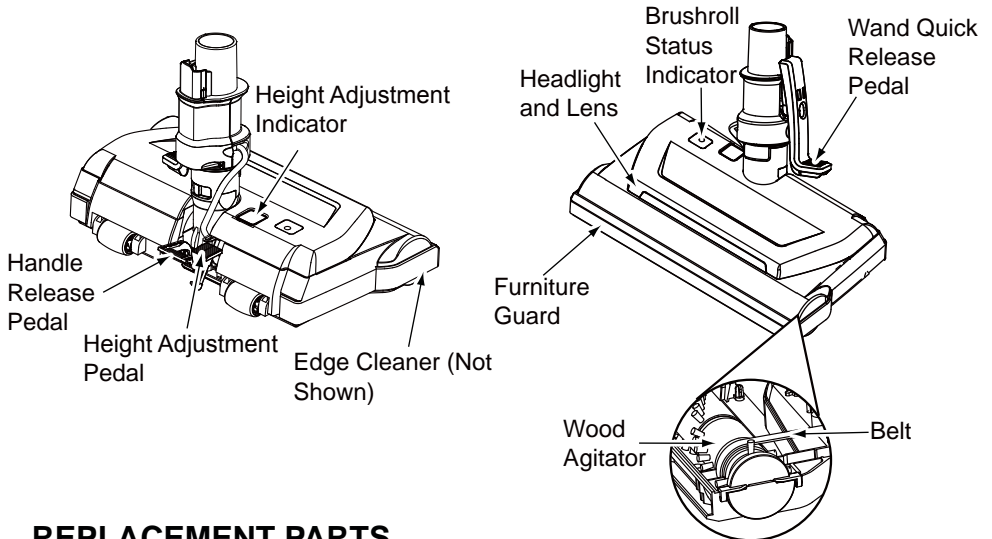
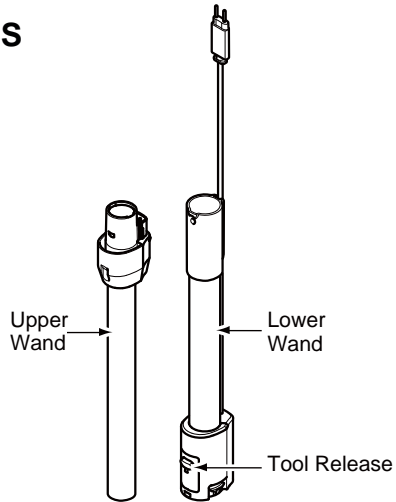
Proper assembly and safe use of your vacuum cleaner is your responsibility. Your vacuum cleaner is intended for Household use. Read this Use & Care Guide carefully for important use and safety information. This guide contains safety statements under warning and caution symbols.

# PARTS AND FEATURES

It is important to know your vacuum cleaner's parts and features to ensure its proper and safe use. Review these before using your vacuum cleaner.



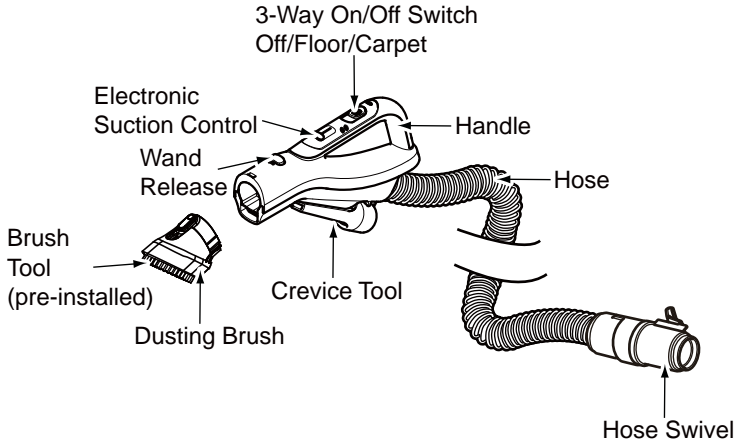
## MOTORIZED NOZZLE & WANDS



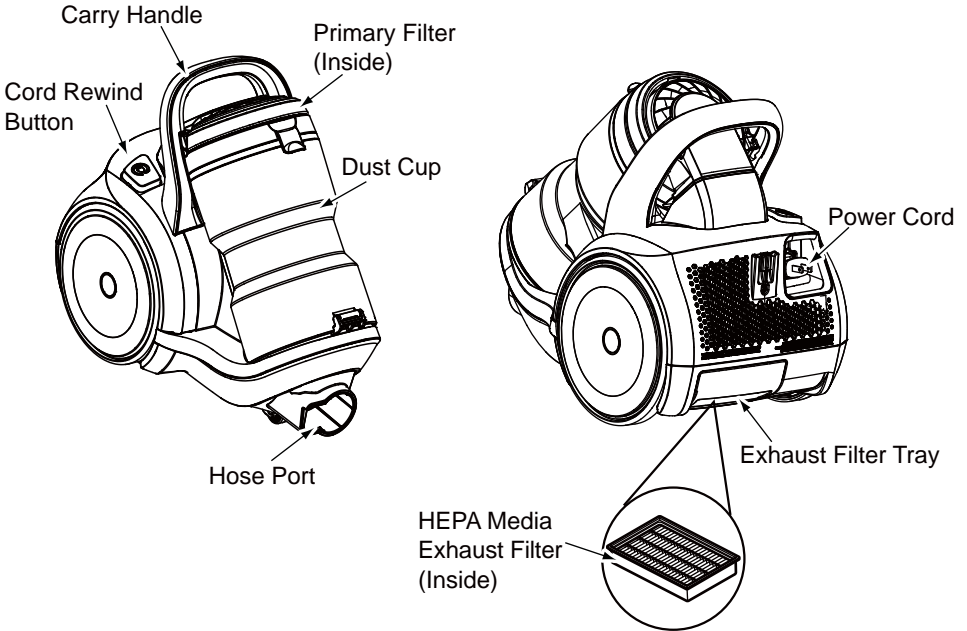
## REPLACEMENT PARTS

Item	Part No.
Belt	591019102
Wood Agitator	591019104
Exhaust Filter	591002114
Primary Filter	561014107

# HANDLE & HOSE ASSEMBLY



# CANISTER







Please pay special attention to these hazard alert boxes, and follow any instructions given. **WARNING** statements alert you to such dangers as fire, electric shock, burns and personal injury. **CAUTION** statements alert you to such dangers as personal injury and/or property damage.

## ASSEMBLY INSTRUCTIONS



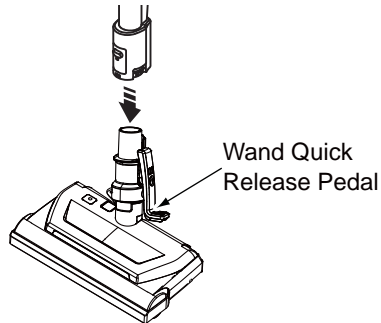
### WARNING

#### Electrical Shock Hazard

DO NOT plug into electrical supply until assembly is complete. Failure to do so could result in electrical shock or injury.

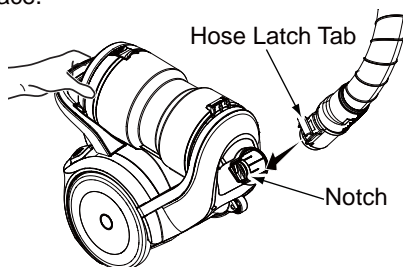
### MOTORIZED NOZZLE

Install the lower wand onto the motorized nozzle until the wand locks into place. To remove: Press the wand quick release pedal and pull up on the wand.

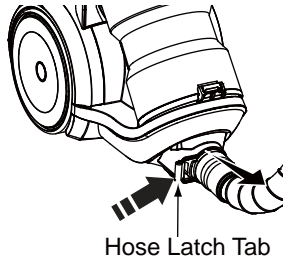


### HOSE

Align the hose latch tab and the notch in canister hood and insert the hose into canister until it snaps into place.

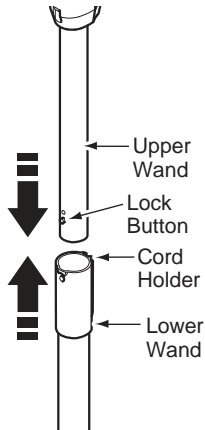


To remove: Press the hose latch tab inward and pull out on the hose.

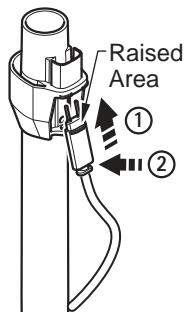


## WANDS

1. Insert the upper wand into the lower wand until the lock button snaps in place.  
To remove: Press the lock button and pull wands apart.



2. Insert the plug of the cord into the plug holder as shown. DO NOT force. Raised area of the plug must be towards hand.



3. Secure the cord into the cord holder on the back of the wand.

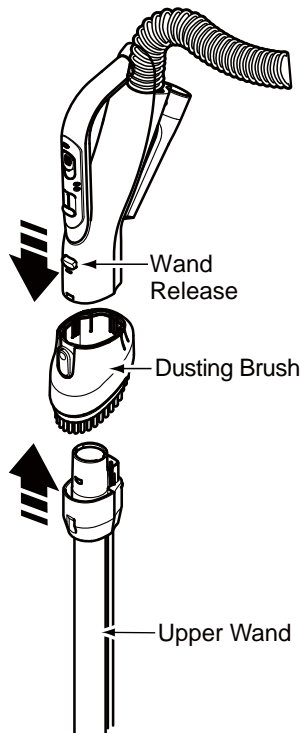
## HANDLE

Insert the wand into the handle until the wand locks into place. Make sure the hose is not twisted.

To remove: Press the wand release button and pull up on the handle.

The dusting brush can be stored on the hose handle by placing on hose handle before the upper wand.

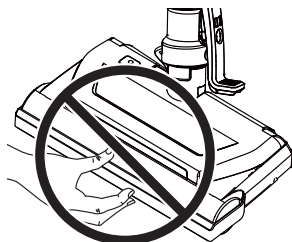
To store: Disconnect the handle from the wand and canister to prevent stress on hose during storage. Store the hose in a loosely coiled position so the hose covering is not stressed.



# OPERATING INSTRUCTIONS

## CAUTION

Moving parts! To reduce the risk of personal injury, DO NOT touch the agitator when vacuum cleaner is on. Contacting the agitator while it is rotating can cut, bruise or cause other injuries. Always turn off and unplug from electrical outlet before servicing. Use caution when operating near children or pets.



## HOW TO START

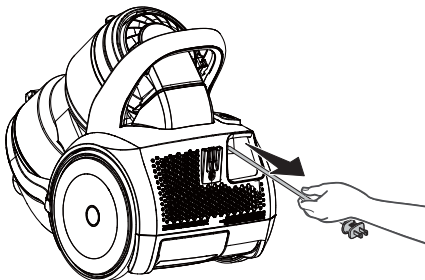
## WARNING

### Personal Injury and Product Damage Hazard

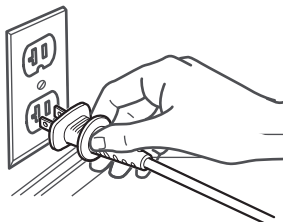
- DO NOT plug in if switch is in ON position. Personal injury or property damage could result.
- The cord moves rapidly when rewinding. Keep children away and provide a clear path when rewinding the cord to prevent personal injury.
- DO NOT use outlets above counters. Damage from cord to items in surrounding area could occur.
- When any abnormality/failure occurs, stop using the product immediately and disconnect the power plug.

**NOTE:** To reduce the risk of electric shock, this vacuum cleaner has a polarized plug; one blade is wider than the other. This plug will fit in a polarized outlet only one way. If the plug does not fit fully in the outlet, reverse the plug. If it still does not fit, contact a qualified electrician to install the proper outlet. Do not change the plug in any way.

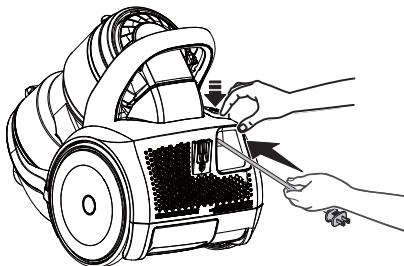
1. Pull the power cord out of the canister to desired length. The cord will not rewind until the cord rewind button is pushed.



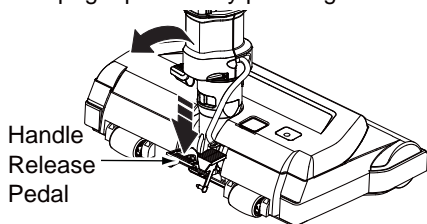
2. Plug the polarized power cord into a 120 Volt outlet located near the floor.



To rewind: Turn off and unplug the vacuum cleaner. Hold the plug while rewinding to prevent damage or injury from the moving cord. Push the cord rewind button.



3. Lower the handle from upright position by pressing on the handle release pedal.



4. Select a pile height setting by pressing the height adjustment pedal on the rear of the motorized nozzle. The pile height setting shows on the indicator. See SUGGESTED PILE HEIGHT SETTINGS (page 16).

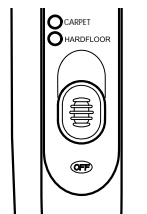
**Attention:** Refer to your carpet manufacturers cleaning recommendations. Some more delicate carpets may require that they be vacuumed with the nozzle agitator turned off to prevent carpet damage.

5. Select a position on the 3-way On/Off switch on the handle.

**CARPET** - turns on both the canister and the motorized nozzle. Headlight and agitator will power on.

**HARDFLOOR** - turns on the canister motor only. Headlight and agitator will not power on.

**OFF** - Turns the vacuum cleaner off.



**NOTE :** When this switch is in the **HARDFLOOR** position the nozzle headlight **DOES NOT** function since no electricity flows to the motorized nozzle.



## **CAUTION**

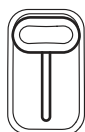
**DO NOT** leave the motorized nozzle running in one spot for any length of time. Damage to carpet may occur.

## **ELECTRONIC SUCTION CONTROL**

The electronic suction control allows you to change the power of the vacuum cleaner suction motor.

High Power increases suction for upholsteries and carpets.

Low Power decreases suction for draperies and light weight rugs.



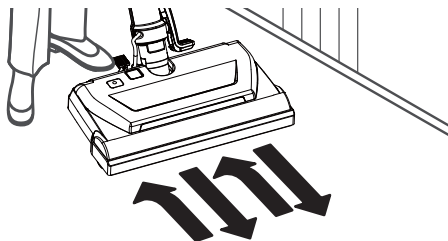
High Power

Low Power

## **VACUUMING TIPS**

### **SUGGESTED SWEEPING PATTERN**

For best cleaning action, the motorized nozzle should be pushed straight away from you and pulled straight back. At the end of each pull stroke, the direction of the nozzle should be changed to point into the next section to be cleaned. This nozzle should be continued across the carpet or floor with slow, gliding motions.



**NOTE:** Fast, random strokes do not provide complete cleaning.



## CAUTION

### Product Damage Hazard

Use care if the motorized nozzle and wand is left in the upright position as it may tip over easily. Property damage can occur if tipped.



## WARNING

### Personal Injury and Product Damage Hazard

- DO NOT run over power cord with motorized nozzle. Personal injury or product damage could result.
- DO NOT pull plug from wall by the power cord. If there is damage to the cord or plug, personal injury or property damage could result.

## STAIRS



## WARNING

### Personal Injury Hazard

Use care if canister is placed on stairs. It may fall, causing personal injury or property damage.



## CAUTION

### Product Damage Hazard

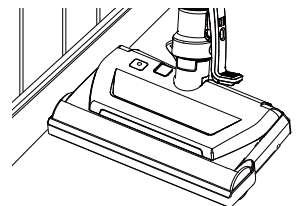
Do not pull on the hose to move the canister from one stair to the next. When finished cleaning in one area use the handle grip on the canister to move the vacuum cleaner to a new location for further cleaning.

Carpeted stairs need to be vacuumed regularly. For best cleaning results, adjust the electronic suction control to high power position.

For best cleaning results, keep the airflow passage open. Check each assembly area in REMOVING CLOGS (page 24) occasionally for clogs. Turn off and unplug the vacuum cleaner from outlet before checking.

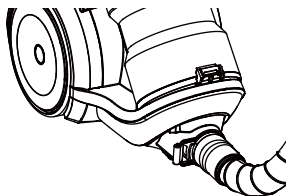
## EDGE CLEANER

Active brush edge cleaners are on both sides of the motorized nozzle. Guide either side of the nozzle along the wall or next to furniture to help remove dirt trapped at carpet edges.



## HOSE SWIVEL

The 360° hose swivel allows the hose to turn without moving the canister. This is helpful for cleaning in small areas. Check the hose for twisting before pulling the canister.



## SUGGESTED PILE HEIGHT SETTINGS

For best deep down cleaning, use the XLO setting. However, you may need to raise the height to make some jobs easier, such as scatter rugs and some deep pile carpets, and to prevent the vacuum cleaner from shutting off. Suggested settings are:

**HI** – Shag, deep pile, or scatter rugs.

**MED** – Medium to deep pile.

**LO** – Low to medium pile.

**XLO** – Most carpets and bare floors.

## ATTACHMENTS



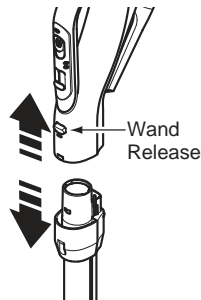
### CAUTION

DO NOT attach or remove handle or wands while vacuum cleaner is ON. This could cause sparking and damage the electrical contacts or electronic controls.

### ATTACHMENTS ON HANDLE

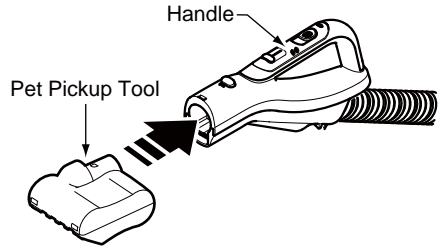
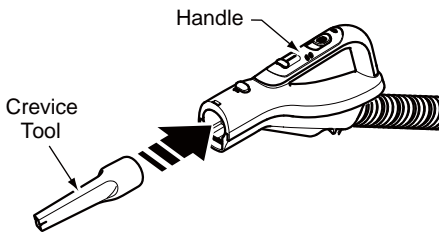
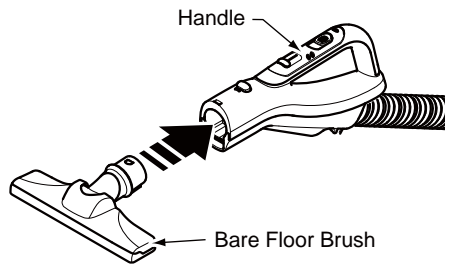
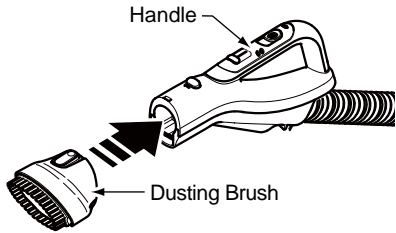
**NOTE:** If the motorized nozzle is attached, turn the vacuum cleaner off before removing the handle from the wand.

1. Press the wand release button and pull up on handle.

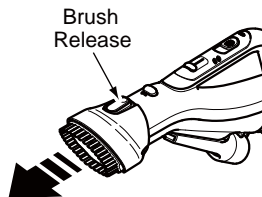




2. Slide attachments firmly on the handle as needed. See ATTACHMENT USE TABLE (page 21).



**NOTE:** To remove the dusting brush, press the brush release button and slide off.

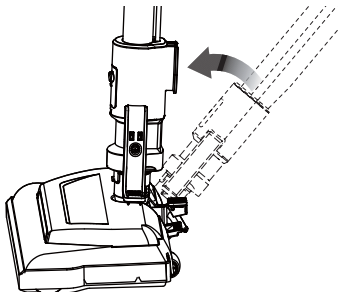


**NOTE:** To remove bare floor brush and/or pet pickup tool, press the wand release button and slide off.

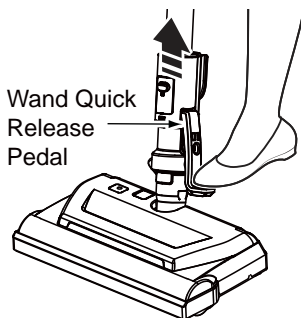


## ATTACHMENTS ON WAND

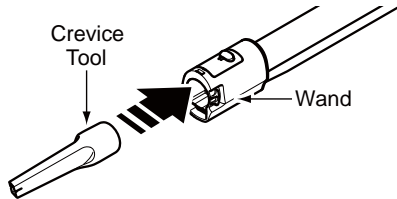
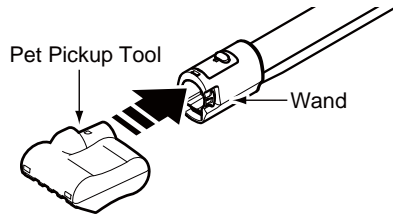
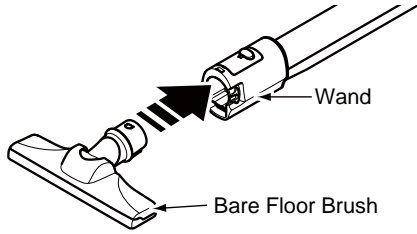
1. To remove the wand from the motorized nozzle, lock the wand in straight-up position.



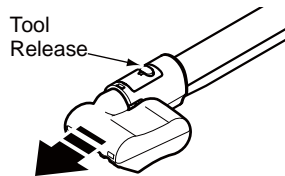
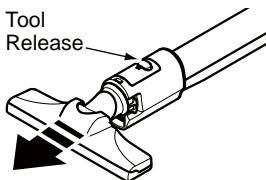
2. Press the wand quick release pedal with foot and pull the wand straight up and out of nozzle.



3. Put attachments on the wand as needed. See ATTACHMENT USE TABLE (page 21).



**NOTE:** To remove the bare floor brush and/or pet pickup tool, press the tool release button and slide off.



## DUSTING BRUSH

The dusting brush is for use on various surfaces. See ATTACHMENT USE TABLE (page 21).

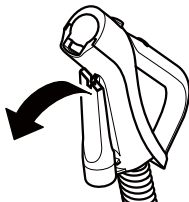
To remove the brush tool, release by pressing the tab and lifting off the holder.



To attach, insert the tab on holder into the slot on the brush tool and press until the tab snaps into place.

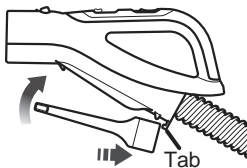
## CREVICE TOOL

Remove the crevice tool by pulling from flat end of the tool.

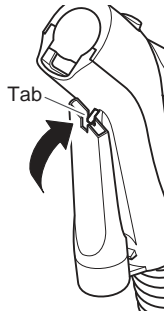


To attach the crevice tool to the handle:

1. Place the round end of the crevice tool onto the tab on the handle as shown.



- Align the slot on the flat end of the crevice tool with the tab on the handle.
- Press the crevice tool onto the handle until the crevice tool snaps into place.



## ATTACHMENT USE TABLE

ATTACHMENTS	CLEANING AREA						
	Furniture <sup>1</sup>	Between Cushions <sup>1</sup>	Drapes <sup>1</sup>	Stairs	Bare Floors	Carpeted Floors/Rugs	Walls
Floor Brush				√	√		√
Motorized Nozzle					√ <sup>3</sup>	√	
Pet Pickup Tool <sup>2</sup>	√			√		√ <sup>4</sup>	
Dusting Brush	√		√				√
Crevice Tool	√	√					

- Always clean attachments before using on fabrics.
- Use the pet pickup tool to remove the pet hair from delicate surfaces, such as upholstery and drapes. **DO NOT** use on a pet.
- 3-way On/Off switch should be in **HARDFLOOR** position.
- When using the pet pickup tool for carpeted floors/rugs, the 3-way On/Off switch needs to be in **CARPET** position.

# PERFORMANCE FEATURES



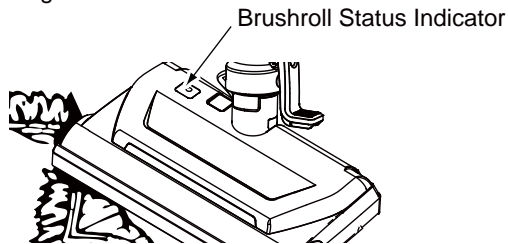
## WARNING

### Personal Injury Hazard

Always turn off and unplug the vacuum cleaner before cleaning the agitator area as agitator may suddenly restart. Failure to do so can result in personal injury.

## OVERLOAD PROTECTOR / BELT RESET

The overload protector protects the motor from brush jamming and belt breakage. If the agitator slows down or stops, the overload protector shuts off the brush and the brushroll status indicator emits red light.



To correct the problem: Turn off the vacuum cleaner, remove the obstruction, then turn on the vacuum cleaner again. The brushroll status indicator will be off.

If the problem persists, have the vacuum cleaner serviced by a Titan Vacuums or other qualified service agent.

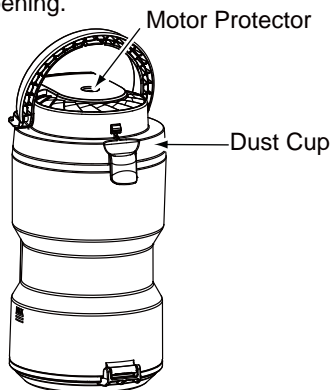
## THERMAL PROTECTOR

This vacuum cleaner has a thermal protector which automatically trips to protect the vacuum cleaner from overheating. If a clog prevents the normal flow of air to the motor, the thermal protector turns the motor off automatically. This allows the motor to cool in order to prevent possible damage to the vacuum cleaner.

To correct the problem: Turn off and unplug the vacuum cleaner to allow the vacuum cleaner to cool and the thermal protector to reset. Check for and remove clogs, if necessary. See REMOVING CLOGS (page 24). Also check and replace any clogged filters. Wait approximately fifty (50) minutes and plug the vacuum cleaner in and turn back on to check if the thermal protector has reset.

## MOTOR PROTECTOR

This vacuum cleaner also has a motor protector by-pass valve which prevents motor overheating and damage. The valve opens to provide cooling air when a clog prevents normal air flow to the vacuum cleaner suction motor. You will notice a change of sound as air rushes through the valve opening.



To correct the problem: Empty the dust cup and clean the primary filter and pre-filter. Check for and remove clogs, and empty dust cup if necessary. See REMOVING CLOGS (page 24).

**NOTE:** Do not block the motor protector.

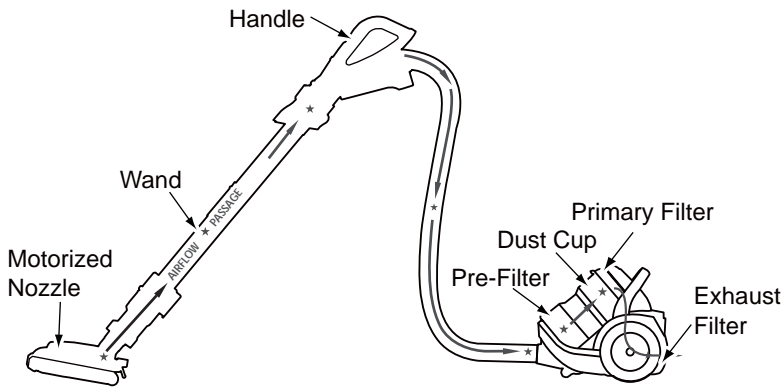
**NOTE:** The motor protector may open when using attachments or when cleaning new carpet due to reduced airflow caused by the attachments themselves or by new carpet.

# REMOVING CLOGS

## REMOVING CLOGS

The vacuum cleaner creates suction that picks up dirt. Rapidly moving air carries the dirt to the dust cup through the airflow passages. The dust cup lets the air pass through, while it traps the dirt.

For best cleaning results, keep the airflow passage open. Check the starred ( \* ) areas occasionally for clogs. Turn off and unplug the vacuum cleaner from outlet before checking.



### TO CHECK FOR CLOGS:

- Check the dust cup and empty if full. See EMPTYING DUST CUP (page 25).
- Check the pre-filter, primary filter and exhaust filter and clean/replace if dirty. See PRE-FILTER CLEANING (page 28), PRIMARY FILTER CLEANING (page 29) and EXHAUST FILTER CHANGING (page 31).
- Check the motorized nozzle for any dirt or debris in the belt path area or in the agitator area. Carefully remove any string or debris located on the agitator or end caps. See TO CLEAN AGITATOR (page 38).

If the vacuum cleaner still has poor suction, do the following:

1. Connect the hose to the canister and turn the vacuum cleaner on. Check the end of the hose handle for suction. If there is good suction on the hose handle, there is no clog in the hose. If the suction is bad, remove any dirt or debris in the hose and handle.
2. Connect the hose handle to the wand. Check the end of the wand for suction. If there is good suction at the end of the wand, there is no clog in the wand. If the suction is bad, remove any dirt or debris in the wand.
3. Check the nozzle swivel. Remove any dirt or debris.



# CLEANING EXTERIOR AND ATTACHMENTS

1. Turn off and unplug the vacuum cleaner. DO NOT drip water on the vacuum cleaner.
2. To clean the exterior, or to reduce static electricity and dust build-up, wipe the outer surface with a clean, soft cloth that has been dipped in a solution of mild liquid detergent and water, then wring dry. Wipe dry after cleaning.



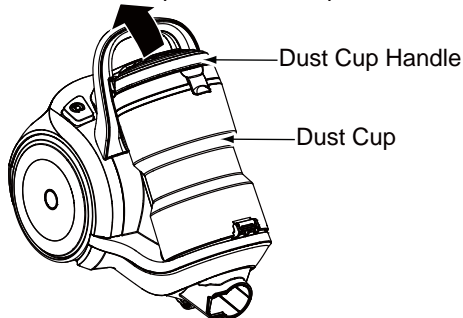
## CAUTION

Do not use attachments if they are wet. Attachments used in dirty areas, such as under a refrigerator, should not be used on other surfaces until they are washed. They could leave marks.

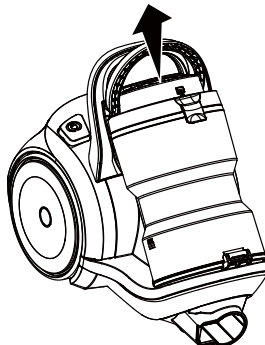
# EMPTYING DUST CUP

## TO REMOVE DUST CUP

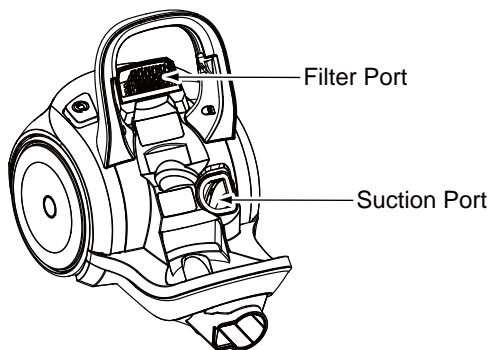
1. Turn off and unplug the vacuum cleaner.
2. Lift the dust cup handle located at the top of the dust cup.



3. Pull the handle up and lift the dust cup up and out of the vacuum cleaner.

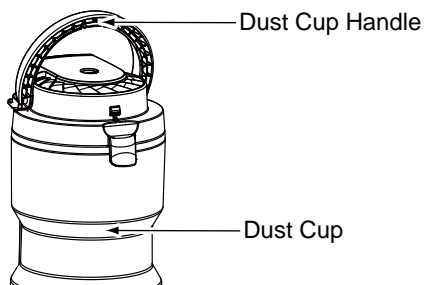


4. Remove any clogs that might be located in the suction port or filter port area.



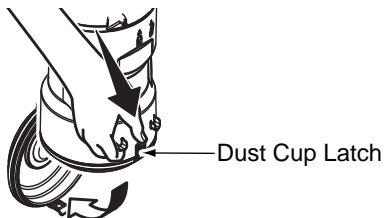
## TO EMPTY DUST CUP

1. Rotate the dust cup handle to the vertical position.

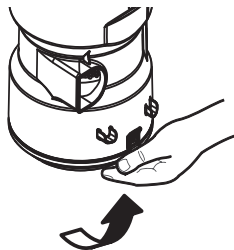


2. Hold the dust cup over a trash container.

3. Press the dust cup latch slightly outwards and downward to release the door. The door will swing open and the debris will fall into the trash container.

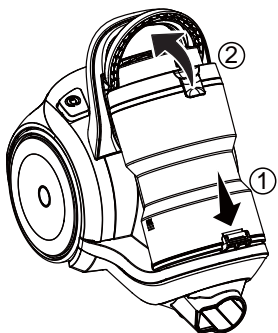


4. Shake the dust cup to release any debris that might hang in the pre-filter.
5. After the dust cup is empty of debris, firmly close the door. Make sure you hear a “click” sound to indicate that the door is fully latched.

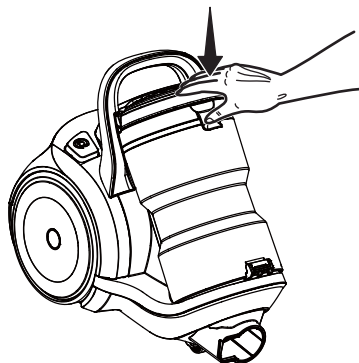


## TO REPLACE DUST CUP

1. Place the dust cup back into the vacuum cleaner by inserting the bottom first and tilting back with the dust cup handle raised.



2. Lower the dust cup handle to lock the dust cup in place. A noticeable “click” should be heard.



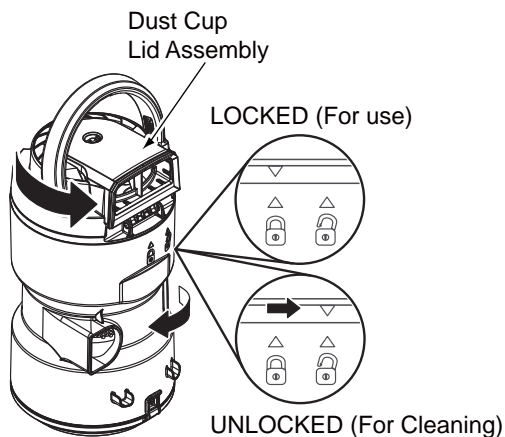
# PRE-FILTER CLEANING

The pre-filter is located inside the dust cup. Check the pre-filter frequently and clean when dirty.

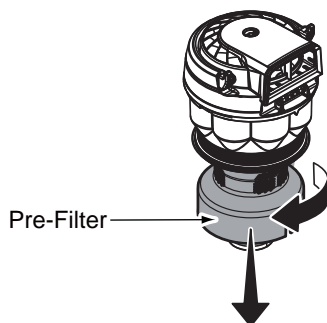
1. Remove the dust cup as outlined in the TO REMOVE DUST CUP (page 25).

**NOTE:** Make sure the dust cup is free of debris before opening.

2. Rotate the dust cup lid assembly counterclockwise as indicated on the lid and lift off.



3. Grasp the pre-filter and rotate counterclockwise to remove.



4. Clean the pre-filter by gently tapping over a trash container. Tap on several sides to ensure best cleaning.

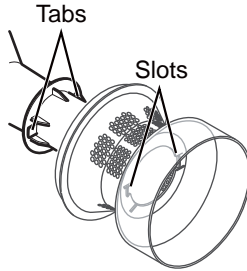
If necessary, rinse with cold water only, **DO NOT** use detergent or soap. Allow parts to dry 24 hours before putting back into the vacuum cleaner.

**DO NOT wash in the dishwasher.**

**DO NOT install the pre-filter if damp.**

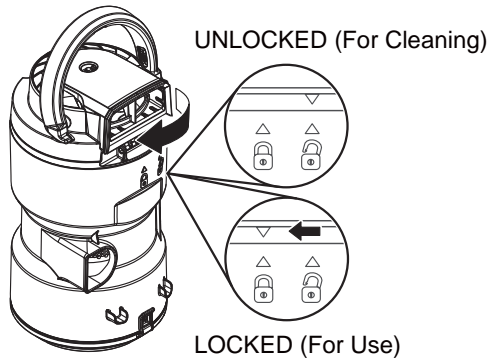
**To Reinstall:**

1. Align the slots on the pre-filter with the alignment tabs inside the dust cup lid assembly.



2. Rotate the pre-filter clockwise to lock in place.

3. Replace the lower portion of the dust cup by aligning marks as shown, UNLOCKED (For Cleaning).



4. Rotate while pressing downward until marks align as shown, LOCKED (For Use).

5. Reinstall the dust cup. See TO REPLACE DUST CUP (page 27).

## PRIMARY FILTER CLEANING

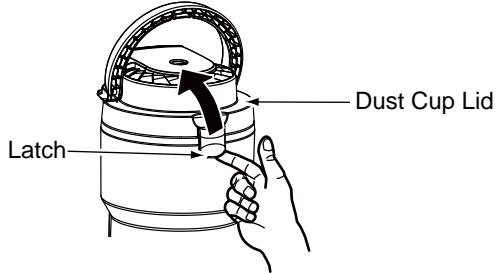
The primary filter is located inside the dust cup lid.



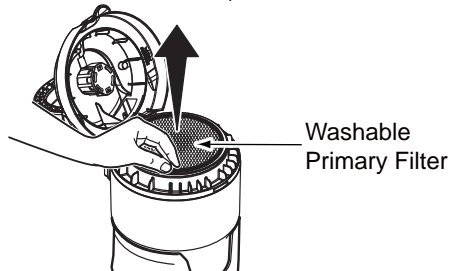
It is recommended to clean the primary filter with cold water at least every one (1) month. Check the primary filter frequently and clean when dirty.

**NOTE:** When cleaning of the filter no longer restores vacuum cleaner suction to full power, replace the filter.

1. Remove the dust cup as outlined in the TO REMOVE DUST CUP (page 25).
2. Pull the dust cup lid latch and open the lid.



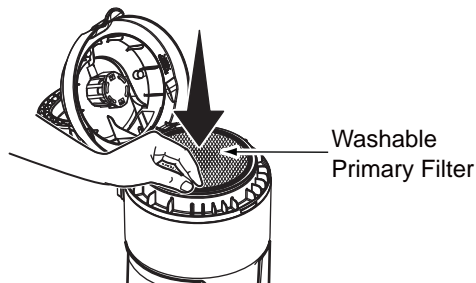
3. Remove the primary filter.



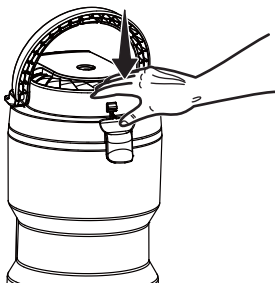
4. Wash with cold water only, **DO NOT** use detergent or soap. Squeeze by hand and allow to air dry. Allow parts to dry 24 hours before putting back into the vacuum cleaner.  
**DO NOT operate without primary filter installed.**  
**DO NOT wash in the dishwasher.**  
**DO NOT install the primary filter if damp.**

**To Reinstall:**

1. Place the primary filter into the dust cup lid.



2. Close the dust cup lid. Be sure the lid snaps in place. A noticeable “click” should be heard.



3. Reinstall the dust cup. See TO REPLACE DUST CUP (page 27).

## EXHAUST FILTER CLEANING



### WARNING

Fire and/or Electrical Shock Hazard

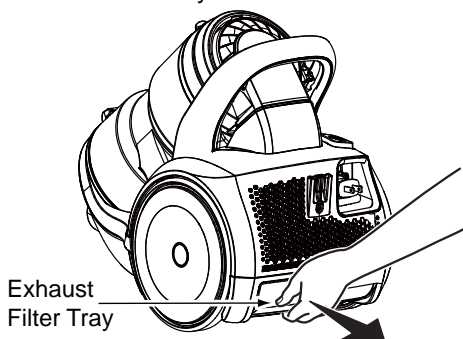
Do not operate with a clogged exhaust filter or without the exhaust filter or exhaust filter tray installed.

## HEPA MEDIA EXHAUST FILTER

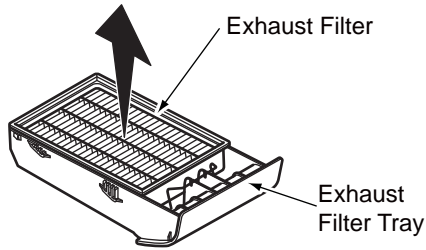
The exhaust filter cartridge must be replaced when dirty. Replace the exhaust filter when the entire surface area is covered evenly. The exhaust filter CANNOT be washed as it will lose its dust trapping ability.

**NOTE:** To use replacement exhaust filter, see part number detail in REPLACEMENT PARTS (page 7).

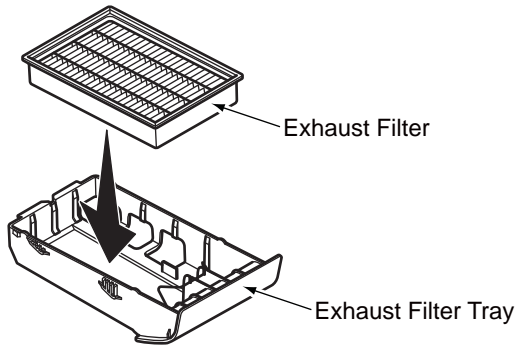
1. Pull out and up on the exhaust filter tray to remove from the canister.



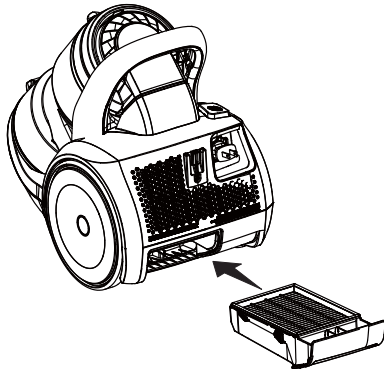
2. Remove the exhaust filter from the filter tray and dispose it properly.



3. Replace the exhaust filter cartridge. Place the new filter cartridge into the exhaust filter tray as shown.



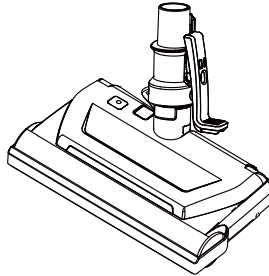
4. Reinstall the exhaust filter tray. Press into place until it snaps closed.





# MOTORIZED NOZZLE CARE

Always follow all safety precautions when performing maintenance to the motorized nozzle.



## WARNING

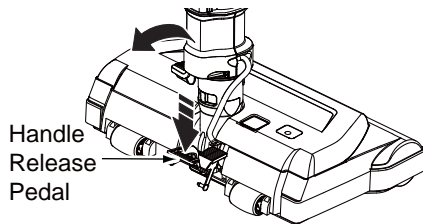
### Electrical Shock or Personal Injury Hazard

Always turn off and unplug the vacuum cleaner before performing maintenance to the vacuum cleaner. Failure to do so could result in electrical shock or personal injury from vacuum cleaner suddenly starting.

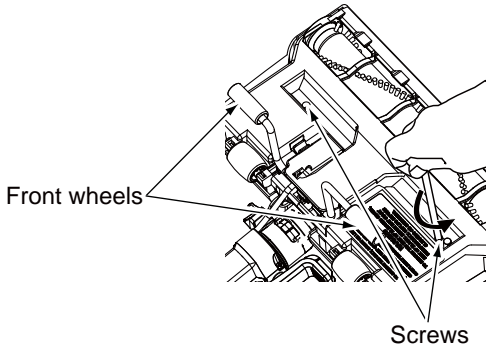
## BELT CHANGING AND AGITATOR CLEANING

### TO REMOVE BELT

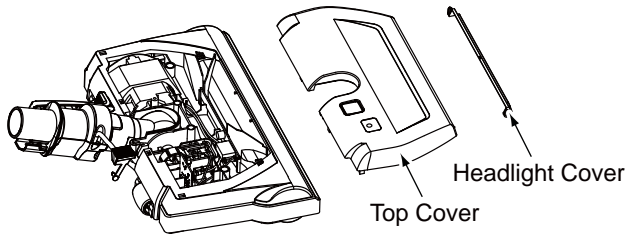
1. Turn off and unplug the vacuum cleaner. Remove the wand from the motorized nozzle.
2. Press on the handle release pedal to lower the handle from upright position.



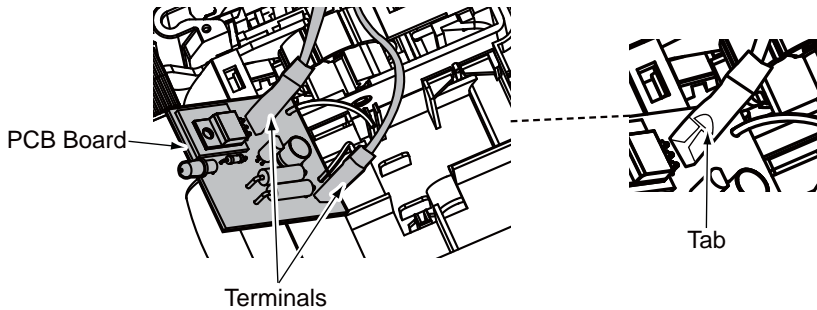
- 3. Turn the motorized nozzle upside down.
- 4. Lift up the front wheels to show the two (2) screws. Unscrew the two screws.



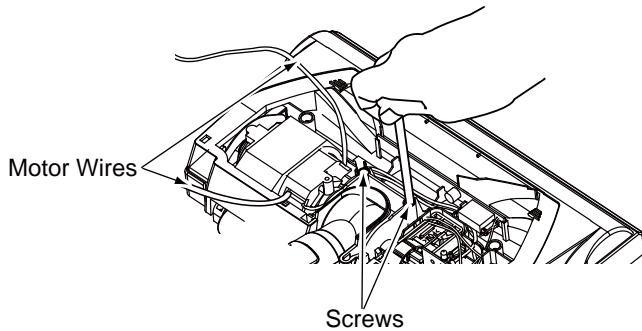
- 5. Turn the nozzle right side up. Remove the top cover and the headlight cover.



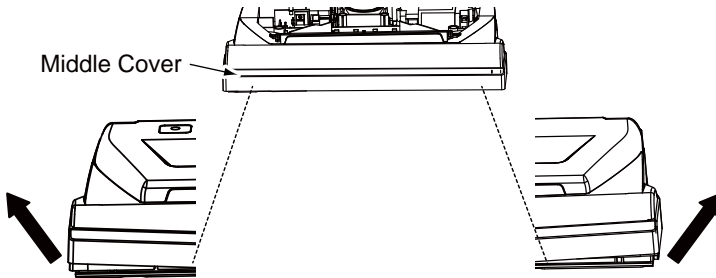
- 6. Pull the PCB board out of the slot to identify the two terminals as shown. Press the small tab on the terminals to remove the two (2) terminals from the PCB board. Release the two motor wires from the guide slots.



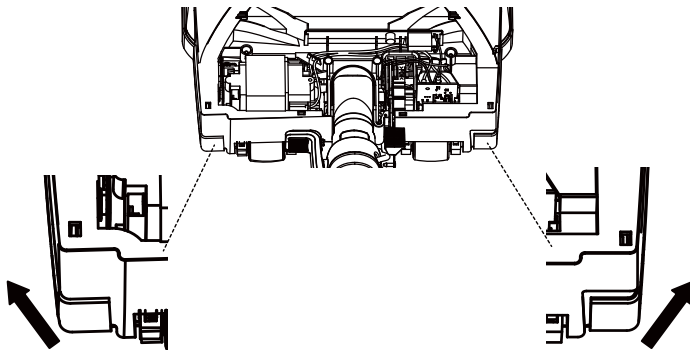
7. Remove the two (2) screws in the middle cover.



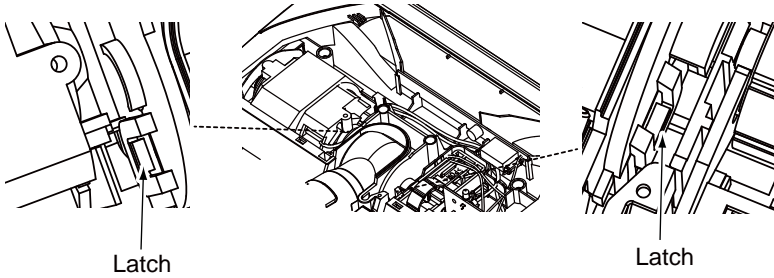
8. Firmly grasp one side of the front section of the middle cover and pull out. Then grasp another side and pull out.



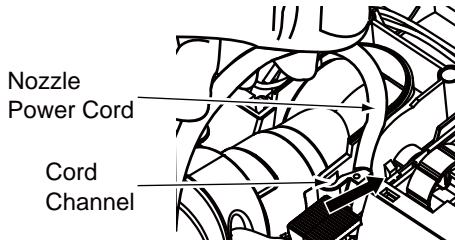
9. Firmly grasp both sides of the back section of the middle cover and pull out.



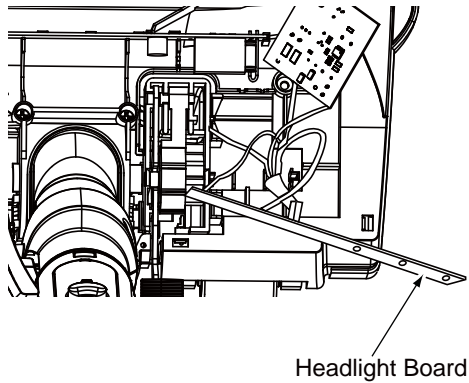
10. Check that the two latches in the handle area are released as shown. Make sure the whole middle cover is released from the base.



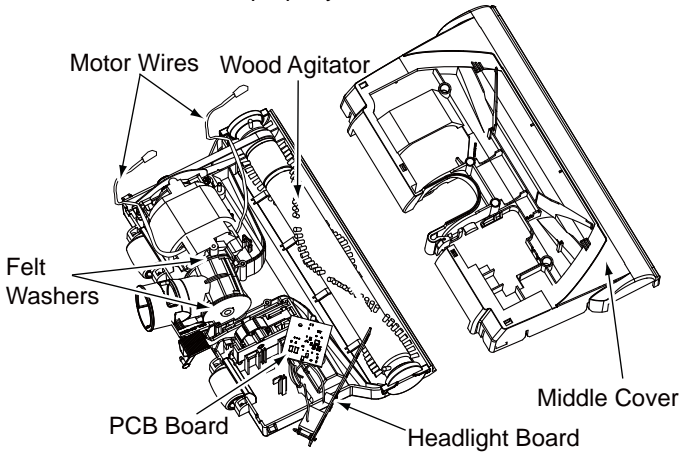
11. Remove the nozzle power cord from the cord channel.



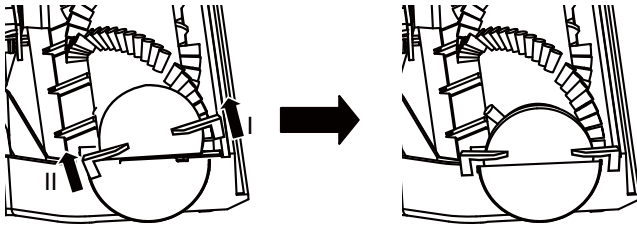
12. Release the headlight board from the slot.



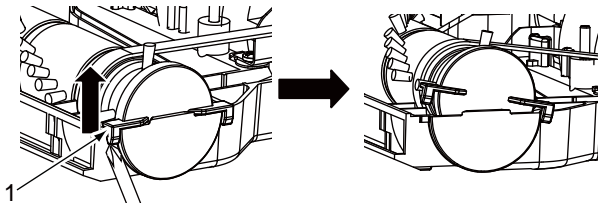
13. Remove the middle cover. Carefully pull the PCB board and headlight board through the middle cover. Then pull the two motor wires through the middle cover. Pay attention to reserve the two felt washers properly for re-installation.



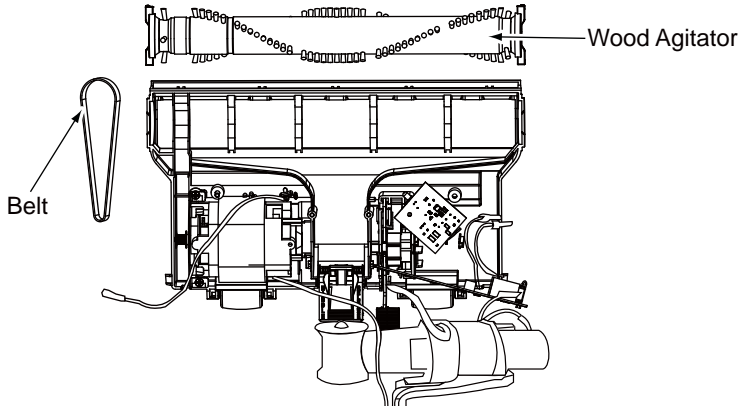
14. To remove the wood agitator, first remove its non-belt side. Lift the end cap up as shown and release the non-belt side from the base.



15. Remove the belt side of the agitator. Use a suitable tool (e.g. a screwdriver) to carefully pry off the end cap at position 1 as shown, and then release the belt side from the base.



16. Remove the wood agitator and the worn belt.



17. Check and clean the wood agitator and the belt. See AGITATOR ASSEMBLY (page 38) for picture of complete agitator assembly.

## TO CLEAN AGITATOR

**NOTE:** In order to keep high cleaning efficiency and to prevent damage to your vacuum cleaner, the agitator must be cleaned every time the belt is changed.

The agitator must also be cleaned according to the following schedule:

### Vacuum Cleaner Use

HEAVY - (used daily)

MODERATE - (used 2-3 times/week)

LIGHT - (used 1 time/week)

### Clean Agitator

every week

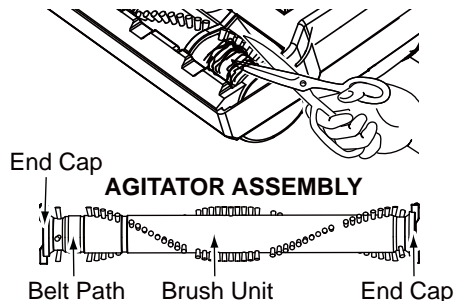
every month

every 2 months

### **IMPORTANT**

Turn off and unplug the vacuum cleaner from the electrical outlet. Check and remove hair, string and lint build-up frequently in the motorized nozzle agitator and end cap areas. Remove any dirt or debris in the belt path area or in the brush roller area.

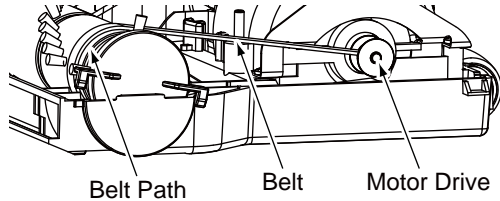
Carefully remove any string or debris located on the agitator or end caps.



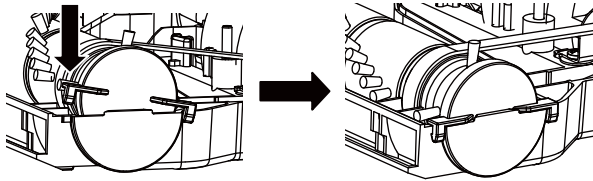
## TO REPLACE BELT

**NOTE:** To use replacement belt, see part number detail in REPLACEMENT PARTS (page 7).

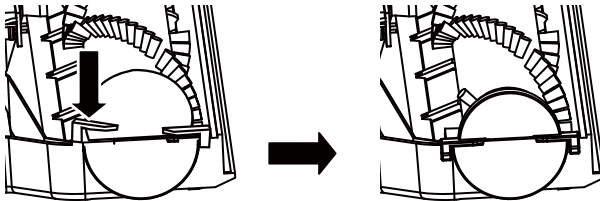
1. Install the new belt over the motor drive, then over the belt path.



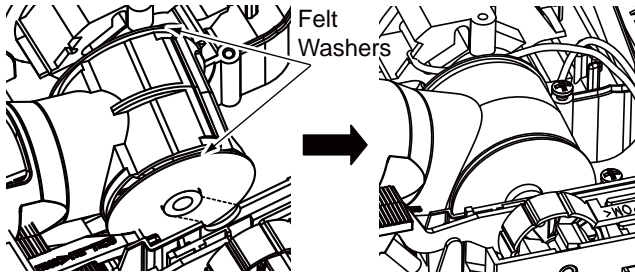
2. Install the belt side of the agitator back into the base. Replace the end cap into position and then press down firmly as shown until it is locked into place.



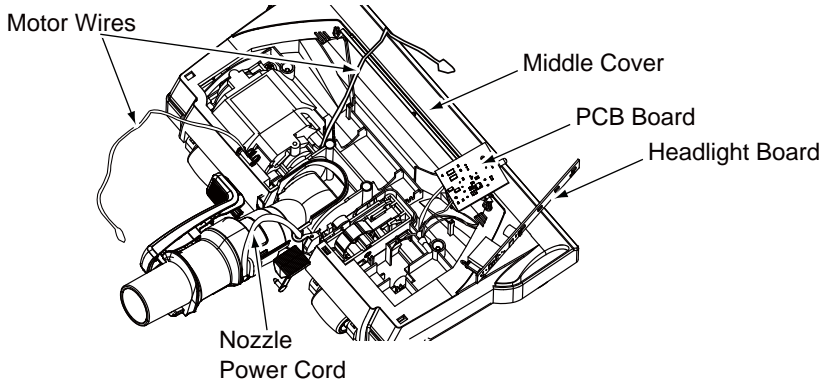
3. Install the non-belt side of the agitator. Replace the end cap into position and then press down as shown until it is locked into place.



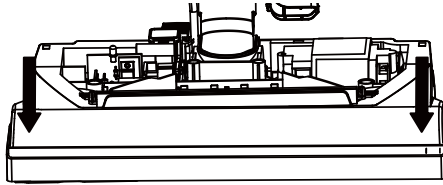
4. Re-fit the two felt washers at the handle in correct positions as shown before re-installing the middle cover.



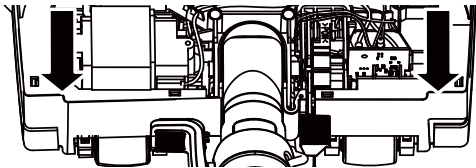
5. Cross the PCB board, headlight board and the two motor wires through the middle cover and replace the middle cover on the base. Make sure both the two felt washers are covered completely by the middle cover. Replace the nozzle power cord back into the cord channel.



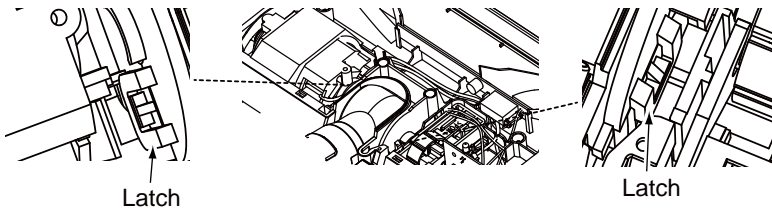
6. Press firmly on both sides of the middle cover front section until it snaps into place.



7. Press firmly on both sides of the middle cover back section until it snaps into place.

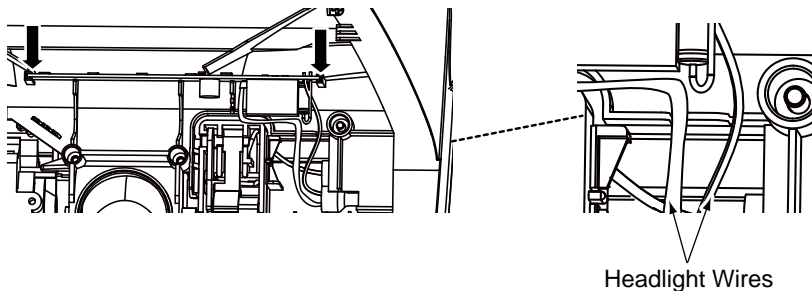


8. Check that the two latches in the handle area are locked into position as shown. Make sure there is no gap between the middle cover and base.

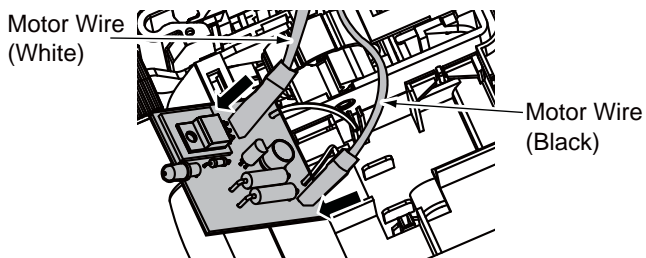




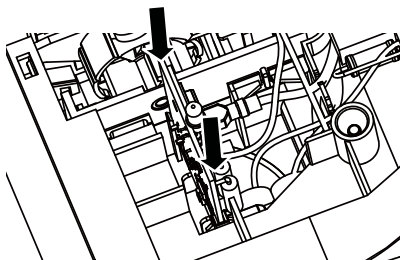
9. Replace the headlight board into the slot. Route the headlight wires (white and black) through the guide slots as shown.



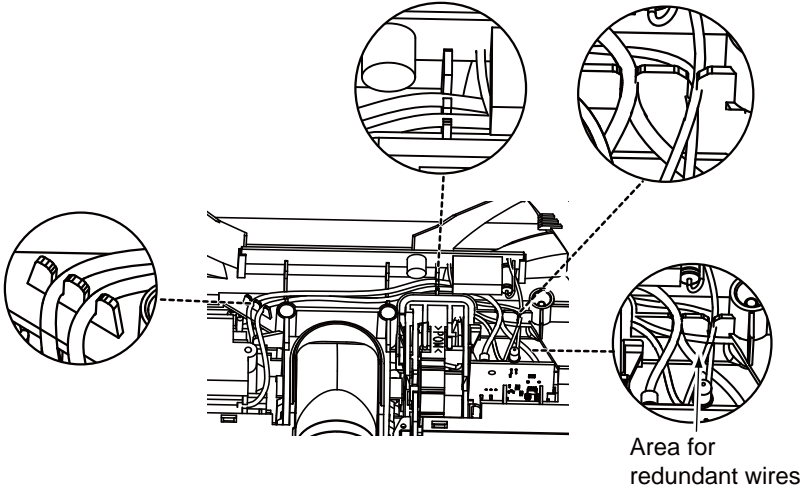
10. Connect the two terminals to the PCB board. Ensure that the white and black motor wires are connected to the correct position as shown.



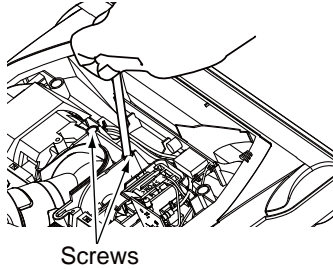
11. Re-insert the PCB board back into the slot as shown.



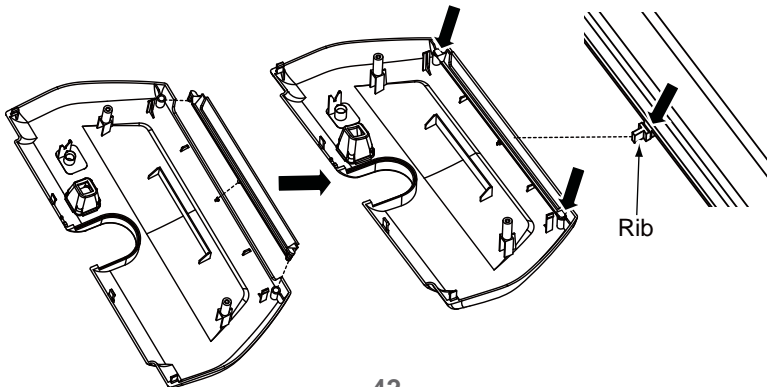
12. Route the white and black motor wires along the guide slots in straight manner. Place the redundant wires under the middle cover as shown.



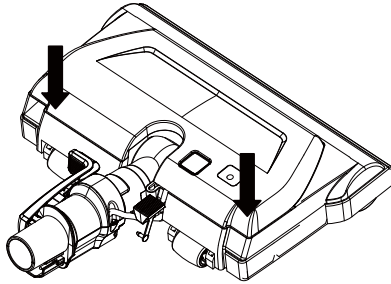
13. Install the two (2) screws in the middle cover.



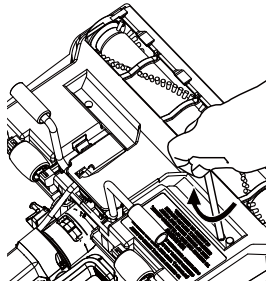
14. Align the headlight cover with the top cover and insert the headlight cover into the top cover. Make sure the rib on the top cover and the headlight cover are connected into place.



15. Replace the top cover and headlight cover. Press the cover firmly until it snaps into place. Make sure there is no gap between the top cover and the middle cover.



16. Turn the motorized nozzle upside down and replace two (2) cover screws under the front wheels. Replace the front wheels.



# AGITATOR SERVICING



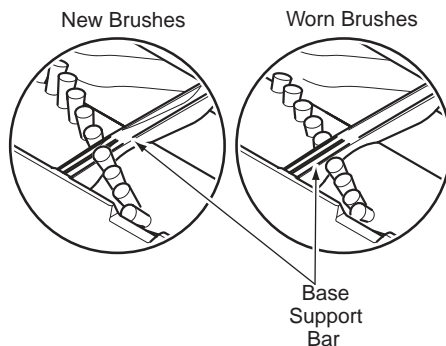
## WARNING

### Electrical Shock Or Personal Injury Hazard

Always turn off and unplug vacuum cleaner before performing maintenance to the vacuum cleaner. Failure to do so could result in electrical shock or personal injury from vacuum cleaner suddenly starting.

## TO CHECK THE BRUSHES

When brushes are worn to the level of the base support bars, replace the agitator assembly.



## TO REPLACE AGITATOR ASSEMBLY

1. Remove the motorized nozzle top cover, middle cover, belt and the wood agitator assembly. See "TO REMOVE BELT" in BELT CHANGING AND AGITATOR CLEANING (page 33-38).
2. Replace the agitator assembly. See your separate repair parts list for part number.
3. Reinstall the agitator assembly and motorized nozzle covers. See "TO REPLACE BELT" in BELT CHANGING AND AGITATOR CLEANING (page 39-43).

# TROUBLESHOOTING

Review this table to find do-it-yourself solutions for minor performance problems. Any other service needed should be performed by a Titan Vacuums or other qualified service agent.



## WARNING

Always turn off and unplug the vacuum cleaner before performing maintenance to the vacuum cleaner. Failure to do so could result in electrical shock or personal injury.

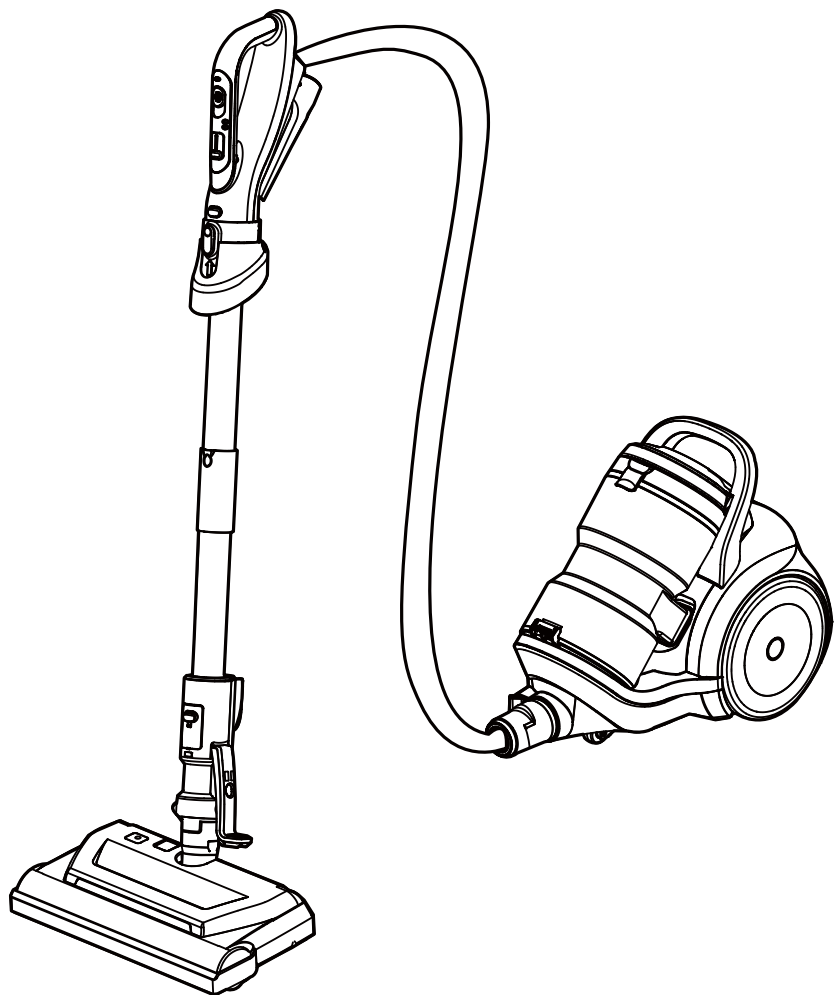
PROBLEM	POSSIBLE CAUSE	SOLUTION
Vacuum cleaner will not start.	The plug is not plugged to the wall outlet.	Be sure the power cord plug is fully plugged into outlet. Move switch to <b>HARDFLOOR</b> or <b>CARPET</b> position.
	Tripped circuit breaker / blown fuse at household service panel.	Reset circuit breaker or replace fuse.
	Loose hose electrical connections.	Reconnect hose ends (page 9-10).
The job of dirt pick-up is poor or suction power is weak.	Full or clogged dust cup.	Empty and clean the dust cup (page 25-27).
	Clogged airflow passages.	Clear airflow passages (page 24).
	Dirty filters.	Clean/replace filters (page 28-32).
	Wrong pile height setting.	Adjust the setting (page 16).
	Electronic suction control is in low power position.	Adjust the electronic suction control (page 14).
	Hole in hose.	Replace the hose.
	Worn nozzle agitator.	Change the agitator (page 33-44).
	Worn or broken belt.	See <b>BELT CHANGING AND AGITATOR CLEANING</b> (page 33-43).
	Dirty agitator or end caps.	See <b>BELT CHANGING AND AGITATOR CLEANING</b> (page 33-43).
Dust cup is installed incorrectly.	See <b>EMPTYING DUST CUP</b> (page 25-27).	

	Dust cup lid and dust cup misassembly.	See PRE-FILTER CLEANING (page 28-29).
Vacuum cleaner starts but shuts off.	Wrong hose or hood electrical connections.	Check connections; reconnect hose ends (page 9-10).
	Tripped overload protector in the motorized nozzle.	Turn off the vacuum cleaner and remove any items that may be caught or jammed, then restart the vacuum cleaner. If the vacuum cleaner starts and stops again, clean the agitator and end caps, then reset (page 22).
	Tripped thermal protector in canister.	See THERMAL PROTECTOR (page 22).
Motorized nozzle will not run when attached.	Nozzle connections unplugged.	Plug in firmly.
	Worn or broken belt.	See BELT CHANGING AND AGITATOR CLEANING (page 33-43).
	Dirty agitator or end caps.	See BELT CHANGING AND AGITATOR CLEANING (page 33-43).
	Tripped overload protector in the motorized nozzle.	Turn off the vacuum cleaner and remove any items that may be caught or jammed, then restart the vacuum cleaner. If the vacuum cleaner starts and stops again, clean the agitator and end caps, then reset (page 22).
	Switch not in CARPET position.	Move the switch to CARPET position (page 13-14).
Vacuum cleaner picks up moveable rugs or nozzle pushes too hard.	Wrong pile height setting.	Adjust the setting (page 16).
	Suction too strong.	Adjust the electronic suction control to decrease suction (page 14).

Headlight will not work.	Burned out LED light.	Have the vacuum cleaner serviced by a Titan Vacuums or other qualified service agent to change the LED light.
Cord will not rewind.	Dirty power cord.	Clean the power cord.
	Cord jammed.	Pull out the cord and rewind (page 12-13).
Vacuum cleaner leaves marks on carpet.	Wrong vacuuming pattern.	See VACUUMING TIPS. (page 14-16)

# TITAN

Manual del usuario



TITAN T8000  
ASPIRADORA DE LUJO SIN BOLSA



# TABLA DE CONTENIDO

Antes de usar su aspiradora nueva.....	2
Garantía de la aspiradora de TITAN.....	3
Instrucciones importantes de seguridad.....	4-5
Piezas y características.....	6-9
Instrucciones de ensamble.....	9-11
Instrucciones de Operación.....	12-21
Características de rendimiento to.....	22-23
Eliminación de tapones.....	24-32
Cuidado de la boquilla de motoriz do.....	33-44
Reconocimiento de problemas.....	45-47

## ANTES DE USAR SU ASPIRADORA NUEVA

Por favor lea esta guía que le ayudara a ensamblar y operar su aspiradora nueva de TITAN en una manera más segura y efectiva.

Deberá registrar su aspiradora llamándonos al (844) 202-9924, o bien visitándonos en línea en TitanVacs.com. Tenga a mano su número de modelo y de serie para completar el proceso de registro.

Use el espacio de abajo para registrar el número de modelo y serie para su nueva aspiradora de TITAN.

Número de Modelo \_\_\_\_\_  
Número de Serie \_\_\_\_\_  
Fecha de Compra \_\_\_\_\_

Mantenga este libro y su recibo en un lugar seguro para futuras referencias.

# GARANTÍA DE LA ASPIRADORA DE TITAN

## GARANTÍA LIMITADA DE TITAN

DURANTE un año a partir de la fecha de compra este aparato está garantizado contra defectos de material o mano de obra cuando se es instalado correctamente, operado y mantenido según las instrucciones suministradas.

CON LA PRIEBE DE VENTA, el producto defectuoso recibirá reparación libre de costo o el remplazo del producto a consideración del vendedor.

Esta garantía es válida solamente durante 90 días desde la fecha de compra, si la aspiradora se utiliza para otros fines que no sean el uso familiar privado.

Esta garantía cubre EXCLUSIVAMENTE los defectos de materiales y fabricación y NO pagará:

1. Los objetos desechables que pueden desgastarse por el uso normal incluidos, pero no limitados a, filtros y correas.
2. Un técnico del servicio técnico para limpiar o mantener este aparato, o para que enseñe al usuario a instalar, manejar o mantener correctamente el producto.
3. Llamadas de servicio para corregir instalaciones de un aparato no realizadas por agentes de servicios autorizados por Titan Vacuums o para reparar problemas con fusibles de casas, interruptores de circuitos, cableado de casa, y plomería o sistemas de alimentación de gas que resulten de la instalación.
4. Daños o fallas en este aparato que resulten de una instalación no realizada por agentes de servicio autorizados por Titan Vacuums, incluyendo instalación que no fue de acuerdo a los códigos de electricidad, gas o plomería.
5. Daños o fallas de este aparato, incluyendo descoloración u oxido en la superficie, si no se ha manejado correctamente o mantenido siguiendo todas las instrucciones incluidas con el producto.
6. Daños o fallas de este aparato, incluyendo descoloración u oxido en la superficie, originados por accidente, alteración, abuso, uso incorrecto o uso del producto para otros fines distintos de los indicados. distintos de los indicados.
7. Daños o fallas de este aparato, incluyendo descoloración u oxido en la superficie, causados por el uso de detergentes, limpiadores, productos químicos o utensilios diferentes a los recomendados en todas las instrucciones que se incluyen con el producto.
8. Daños o averías de las piezas o sistemas causados por modificaciones no autorizadas que se hayan hecho a este producto.
9. Servicio a un aparato si el modelo y etiqueta de serie faltan, son alteradas o si no se puede determinar fácilmente si tienen el logo de certificación apropiado.

### **Limitación de responsabilidad de las garantías implícitas; limitación de remedios**

El único y exclusivo remedio del cliente bajo esta garantía limitada será el reemplazo del aparato según lo indicado en este documento. Las garantías implícitas, incluyendo las garantías de comerciabilidad o idoneidad para un propósito específico, se limitan a un año o el período más corto permitido por la ley. El comerciante no será responsable por daños incidentales ni consecuenciales. Algunos estados no permiten la exclusión o limitación de daños incidentales o consecuenciales, ni limitaciones en la duración de las garantías implícitas de comerciabilidad o idoneidad, por lo que estas exclusiones o limitaciones podrían no aplicar en su caso.

Esta garantía aplica solamente cuando este aparato se utiliza en Estados Unidos.

Esta garantía le otorga derechos legales específicos, y usted podría tener otros derechos que varían en función de cada estado.

# INSTRUCCIONES IMPORTANTES DE SEGURIDAD

Lea las instrucciones en este manual antes de armar o usar su aspiradora.

## ADVERTENCIA

Su seguridad es muy importante para nosotros. Para reducir el riesgo de incendio, choque eléctrico, lesión corporal o daños al utilizar su aspiradora, actúe de acuerdo con precauciones básicas de seguridad, entre ellas:

1. Use su aspiradora únicamente en la forma descrita en este manual. Use únicamente con accesorios recomendados por Titan Vacuums.
2. Desconecte el cordón eléctrico antes de componer o limpiar el área del cepillo. De lo contrario, el cepillo podría arrancar de forma imprevista o podría producirse un choque eléctrico.
3. No abandone la aspiradora cuando esté conectada. Desconéctela cuando no la esté usando y antes de darle servicio.
4. Para reducir el riesgo de choque eléctrico, no use su aspiradora al aire libre ni sobre superficies mojadas.
5. No permita que sea utilizada como juguete. Se requiere tener mayor cuidado cuando sea utilizada en la proximidad de niños o por niños.
6. No use la aspiradora si el cordón o el enchufe están dañados. Si la aspiradora no está funcionando adecuadamente o si se ha dejado caer, está dañada, se ha dejado expuesta a la intemperie o se ha dejado caer en agua, devuélvala a un Centro de servicio de Titan.
7. No jale ni transporte la aspiradora por el cordón; no use el cordón como mango; no cierre puertas sobre el cordón; no jale el cordón sobre rebordes agudos ni esquinas. No pase la aspiradora sobre el cordón. Mantenga el cordón alejado de superficies calientes.
8. No desconecte la aspiradora tirando del cordón eléctrico. Para desconectarla, jale el enchufe, no el cordón.
9. No toque la aspiradora ni el enchufe con las manos mojadas.
10. Ne pas insérer des objets dans les fentes.
10. No coloque objetos en las aberturas.
11. No utilice la aspiradora si alguna abertura está bloqueada; manténgala libre de polvo, pelusa, cabellos y cualquiera cosa que podría disminuir el flujo de aire.
12. Mantenga el cabello, ropa suelta, dedos y todas las partes del cuerpo alejados de las aberturas y piezas mecánicas.
13. Apague todos los controles antes de desenchufar.
14. Tenga cuidado especial al utilizar la aspiradora en escalones. No la coloque sobre sillas, mesas, etc. Manténgala en el piso.
15. No use la aspiradora para aspirar líquidos inflamables o combustibles (gasolina, líquidos para limpieza, perfumes, etc.) ni la use en lugares donde éstos podrían estar presentes. Los vapores de estas sustancias pueden crear un peligro de incendio o explosión.
16. No levante ninguna cosa que se esté quemando o emitiendo humo, como cigarrillos, cerillos o cenizas calientes.
17. No use la aspiradora sin tener instalada la bolsa para polvo y/o los filtros.

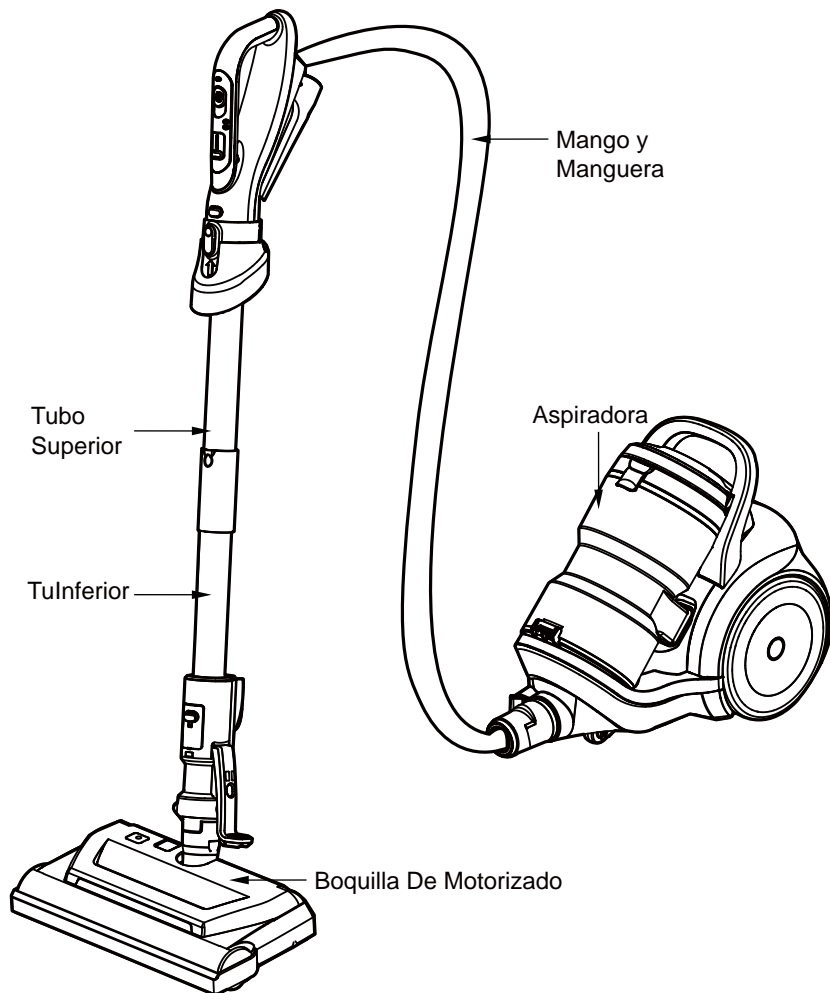
18. Jamás use la aspiradora sin el contenedor de polvo o sus filtros instalados.
19. Limpie siempre el contenedor de polvo después de aspirar alfombras o aromatizantes, productos en polvo y otros tipos de polvo fino. Estos productos se pegan a los filtros, reducen el caudal de aire y pueden provocar daños a la aspiradora. No limpiar el contenedor de polvo puede causar daño permanente a la aspiradora.
20. Do not use the vacuum cleaner to pick up sharp hard objects, small toys, pins, paper clips, etc. They may damage the vacuum cleaner.
21. Do not operate the vacuum cleaner without the exhaust filter or filter door in place. The hose contains electrical wires. Do not use when damaged, cut, or punctured. Replace if cut or worn. Do not pick up sharp objects.
22. Apague siempre el electrodoméstico antes de conectar o desconectar la manguera, vara, herramienta para pelo de mascotas o boquilla motorizada.
23. Hold plug when rewinding onto cord reel. Do not allow plug to whip when rewinding.
24. You are responsible for making sure that your vacuum cleaner is not used by anyone unable to operate it properly.

## **GUARDE ESTAS INSTRUCCIONES**

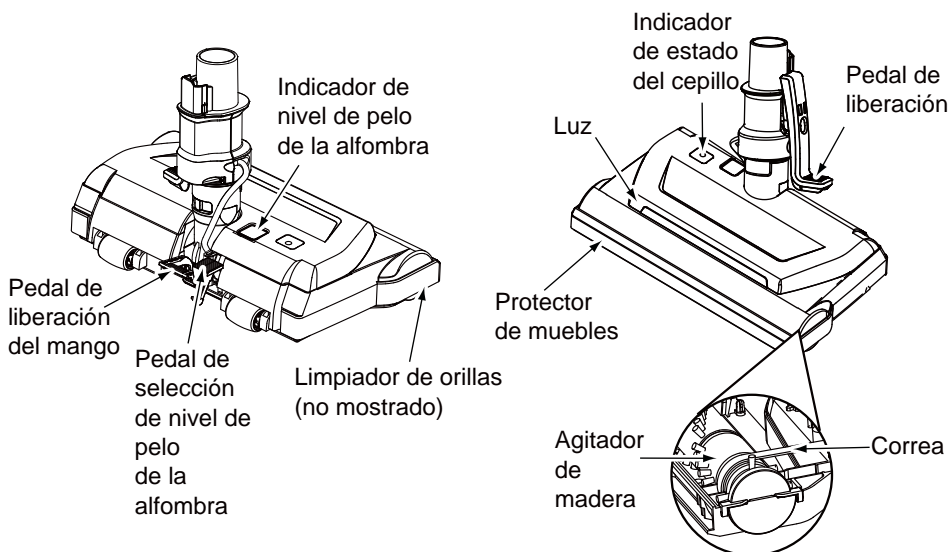
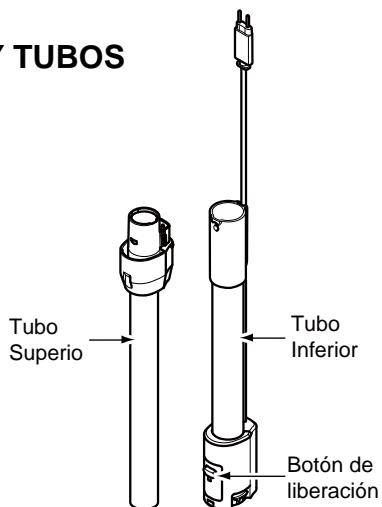
El armado y uso seguro de su aspiradora son su responsabilidad. Esta aspiradora ha sido diseñada exclusivamente para uso doméstico. La aspiradora deberá almacenarse en un lugar seco y en el interior. Lea este Manual de Uso y Cuidado detenidamente, pues contiene información importante sobre seguridad y uso. Esta guía contiene información sobre seguridad debajo de símbolos de advertencia cuidado.

# PIEZAS Y CARACTERÍSTICAS

Es importante conocer las piezas y características de su aspiradora para asegurar su uso adecuado y seguro. Examínelas antes de usar su aspiradora.



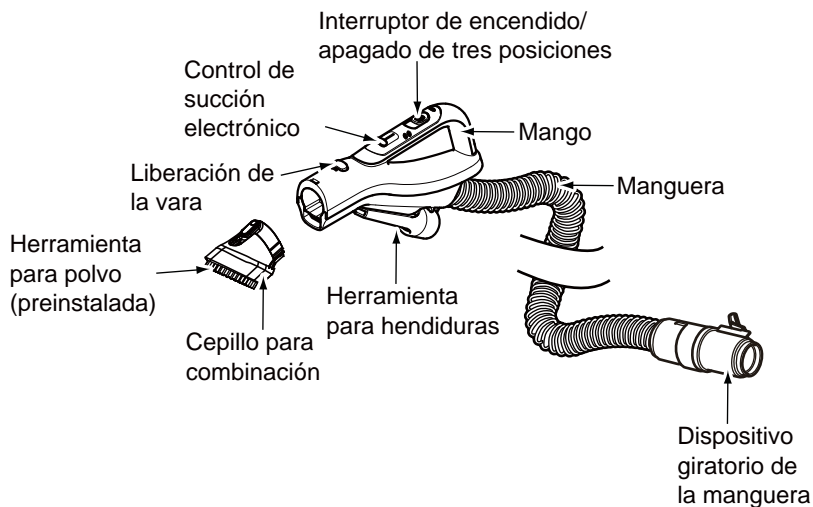
## BOQUILLA DE MOTORIZADO Y TUBOS



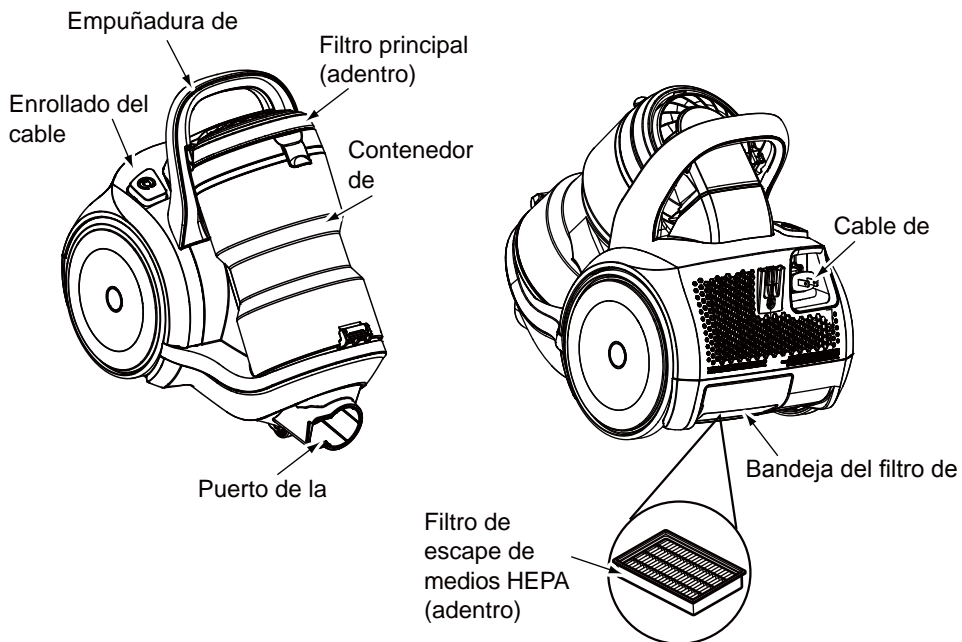
### Partes de Reemplazo

Parte	Pieza N°
Correa	591019102
Agitador de madera	591019104
Filtro de escape	591002114
Filtro principal	561014107

## MANGUERA & ACCESORIOS



## CONTENEDOR





Por favor ponga especial atención a éstos recuadros con alerta de riesgo. **ADVERTENCIA:** Esta información le alertará del peligro de fuego, choque eléctrico, quemaduras y lesiones. **CUIDADO:** Esta información le alertara de peligros como lesiones y daños a la propiedad.

## INSTRUCCIONES DE ENSAMBLE



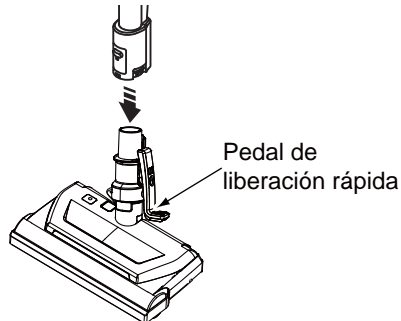
### ADVERTENCIA

#### Peligro de choque eléctrico

No conecte la aspiradora hasta que termine de armarla. De lo contrario podría causar un choque eléctrico o lesión corporal.

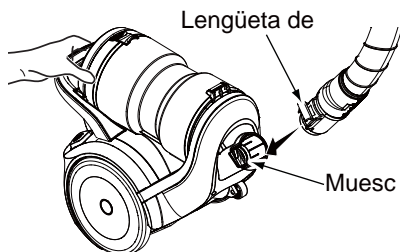
### BOQUILLA MOTORIZADA

Instale la vara inferior en la boquilla motorizada hasta que quede fija en posición. Para sacarla: Pise el pedal de liberación rápida de la vara y tírela.



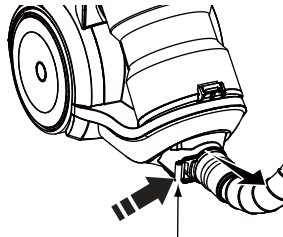
### MANGUERA

Alinee la pestaña de seguro de la manguera y la muesca de la tapa del contenedor e inserte la manguera hacia el contenedor hasta que calce en posición.





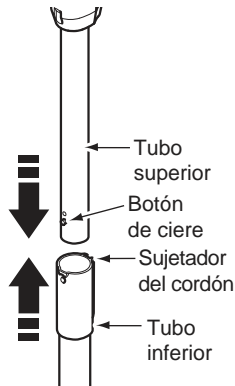
Para sacarla: Presione la pestaña de seguro de la manguera hacia adentro y sáquela.



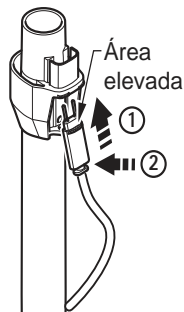
Lengüeta de seguro de la manguera

## TUBOS

1. Inserte el tubo superior en el tubo inferior hasta que el botón de cierre se encaje a presión en el su lugar. Para quitar: Presione el botón de cierre del tubo superior y separe los tubos.



2. Inserte el enchufe del cordón del boquilla de motorizado en el sostenedor del enchufe como se muestra. No lo fuerce. Levantada e introduzca el enchufe .



3. Asegure el cordón en el sostenedor para el cordón en la parte posterior del tubo.

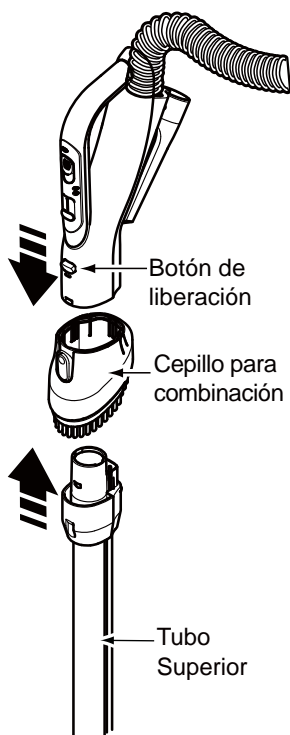
## EMPUÑADURA

Inserte la vara en la empuñadura hasta que quede fija en posición. Asegúrese de que la manguera no esté enredada.

Para sacarla: Presione el botón de liberación de la vara y tírela hacia arriba.

El cepillo para polvo se puede guardar en la empuñadura de la manguera colocándolo en la empuñadura antes de la vara superior.

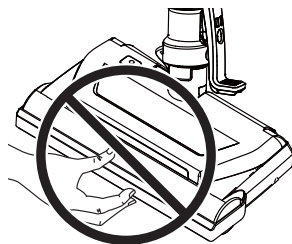
Para Guardar: Para prevenir la presión de la manguera mientras se guarda, desuna la manguera del tubo de la aspiradora. Guarde la manguera en una posición enrollada y floja de tal manera que la tapa de la manguera no se estire.



# INSTRUCCIONES DE OPERACIÓN

## CUIDADO

¡Partes en movimiento! Para reducir el riesgo de daños corporales, no toque el agitador cuando la aspiradora está encendida. El tocar el agitador mientras que está girando puede cortar, contusionar o causar otras lesiones. Siempre apague y desconecte del tomacorriente antes de dar mantenimiento. Tenga cuidado al aspirar cerca de niños.



## PARA COMENZAR

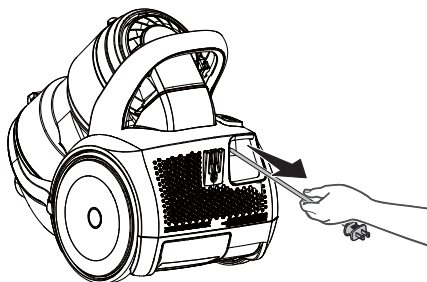
## ADVERTENCIA

### Peligro de lesión personal y daño al producto

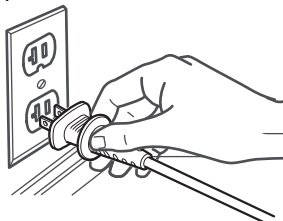
- SIEMPRE apague ante de desconectar.
- El cor dón eléc trico se mueve rápi da mente durante el enro lla miento. Man tenga ale ja dos a los niños y ase gure espa cio libre sufi ciente para evi tar lesio nes per so na les al enro llar el cor dón.
- NO use los en chu fes lo ca li za dos so bre los mue bles. Los ob je tos cer ca nos po drí an re sul tar da ña dos.
- Cuando alguna anomalía/desperfecto ocurra, pare de usar el producto inmediatamente y desconéctelo del toma corriente.

**NOTA:** Para reducir el riesgo de choque eléctrico, esta aspiradora cuenta con una clavija polarizada, uno de los contactos es más ancho que el otro. La clavija sólo puede introducirse de una manera en el enchufe. Si la clavija no cabe bien en el enchufe, inviértala. Si aún no cabe, llame a un electricista para que instale un enchufe correcto. No altere la clavija de ninguna manera.

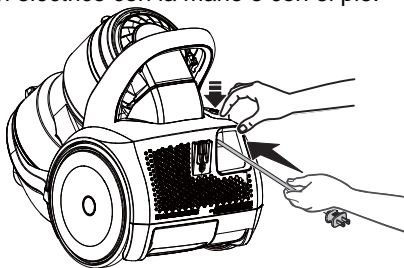
1. Tire del cor dón para sacarlo del recep tá culo hasta tener la lon gi tud dese ada. El cor dón no se en ro lla rá hasta que opri ma el botón para enrollar lo.



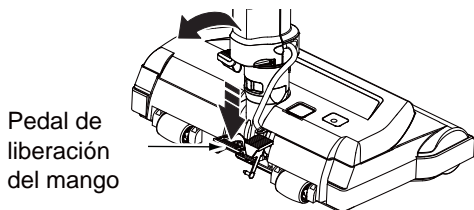
2. Conecte el cordón eléctrico polarizado en un enchufe de 120 voltios que se encuentre cerca del piso.



Para enrostrar: Apague y desconecte la aspiradora. Sujete el enchufe mientras enrostra el cordón para impedir daño o lesión corporal por el movimiento del cordón. Oprima el botón del cordón eléctrico con la mano o con el pie.



3. Baje la empuñadura en posición recta, pisando el pedal de liberación de la empuñadura.



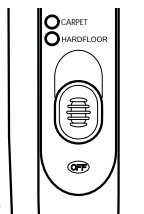
4. Seleccione una altura del pelo de la alfombra usando el pedal pequeño ubicado en la parte posterior de la boquilla de motorizado. El nivel del pelo de la alfombra se muestra en el indicador. Consulte SUGERENCIAS SOBRE EL AJUSTE DE NIVEL DEL PELO DE LA ALFOMBRA (page 16).

**Atención:** Refiérase a las recomendaciones del fabricante para limpiar su alfombra. Algunas alfombras más delicadas pueden requerir el uso de la aspiradora con el agitador boquilla de motorizado desconectado para prevenir que la alfombra sea dañada.

5. Seleccione una posición del interruptor de encendido/apagado de 3 posiciones de la empuñadura.

**CARPET (alfombra):** enciende ambos lados del contenedor y la boquilla motorizada. La luz y el agitador se encenderán.

**HARDFLOOR (pisos sólidos):** enciende solo el motor del contenedor. La luz y el agitador no se encenderán.



**OFF (apagado):** apaga la aspiradora.

**NOTA :** Cuando el interruptor está en la posición **HARDFLOOR** (piso sólido), la luz de la boquilla **NO** funciona porque no fluye electricidad hacia la boquilla motorizada.



## **CUIDADO**

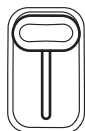
NO deje la boquilla de motorizado funcionando en un lugar durante ningún espacio de tiempo: se puede dañar la alfombra.

## **CONTROL ELECTRONICO DE ASPIRACIÓN**

El control de succión electrónico le permite cambiar la potencia del motor de succión.

Una alta potencia aumenta la succión para trabajar sobre tapizados y alfombras.

Una baja potencia reduce la succión para trabajar sobre alfombras ligeras y cortinas.



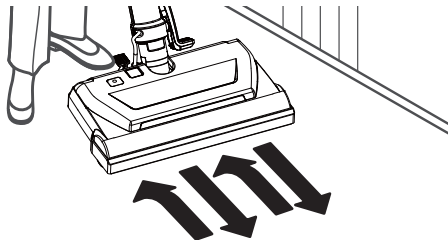
Aumentar  
aspiración

Disminuir  
aspiración

## **SUGERENCIAS PARA ASPIRAR**

### **ESTILO DE LIMPIEZA SUGERIDO**

Para obtener la mejor acción de limpieza se recomienda empujar la boquilla de motorizado en dirección directamente opuesta a usted y jalarla en línea recta. Al final de cada pasada de regreso, cambie la dirección de la boquilla de motorizado hacia la siguiente sección a limpiar. Con tiempo así a través de toda la alfombra o piso de una manera lenta y deliberante.



**NOTA:** Las pasadas rápidas y al azar no logran una limpieza completa.



## CUIDADO

### Peligro de lesión personal y daño al producto

Tenga cuidado si el boquilla de motorizado y la manguera se dejan en posición vertical pues pueden caerse fácilmente. Si se voltean puede haber daño de propiedad.



## ADVERTENCIA

### Peligro de lesión personal y daño al producto

- No atropelle el cordón eléctrico con la boquilla de motorizado. Hay un peligro de lesión corporal o daños de propiedad.
- No tire del cordón eléctrico para desenchufarlo de la pared. Si hay daños en el cordón eléctrico o el enchufe, hay un peligro de lesión corporal o daños de propiedad.

## ESCALERAS



## ADVERTENCIA

### Peligro de lesión personal

Tenga cuidado si coloca el receptáculo sobre escalones. Si se cae, podría causar lesión personal o daño a la propiedad.



## CUIDADO

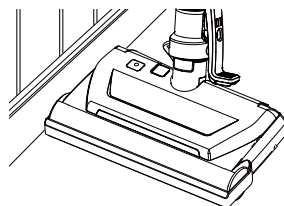
### Peligro de lesión personal y daño al producto

No jale de la manguera para mover la aspiradora de un escalón al siguiente. Cuando termine de limpiar un área use la manija en la aspiradora para moverla a otro lugar para continuar la limpieza.

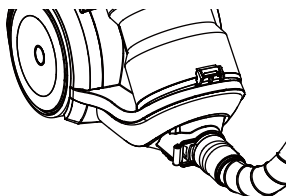
Las escaleras alfombradas se deben aspirar regularmente. Para lograr los mejores resultados de limpieza, ajuste el control de succión electrónico en potencia alta. Para obtener los mejores resultados de limpieza, mantenga la ruta de movimiento del aire despejada. Revise cada área del producto como se indica en ELIMINACIÓN DE TAPONES (página 24) y elimine cualquier obstrucción, de haberla. Apague y desconecte la aspiradora de la toma de corriente antes de revisarla.

## LIMPIADOR DE ORILLAS

Los activos cepillos limpiadores de orillas están en cada lado de la boquilla de motorizado. Pase la boquilla de motorizado junto a las paredes o junto a los muebles para ayudar a eliminar la tierra acumulada en las orillas de la alfombra.



El dispositivo giratorio de la manija 360° permite que ésta gire sin necesidad de mover el receptor. Esto es muy útil para limpiar en áreas pequeñas que a menudo se guían desde que la manija no esté torcida antes de jalar el receptor.



## SUGERENCIAS SOBRE EL AJUSTE DE NIVEL DE PELO DE LA ALFOMBRA

Use el ajuste XLO (bajo) para obtener la mejor limpieza a fondo. Por otra parte, quiérase requerir elevar el nivel para facilitar algunas tareas, como por ejemplo cuando se trata de tapetes y alfombras de pelo largo, y para impedir que la aspiradora se apague. Se sugieren los siguientes ajustes:

**HI** – Pelo muy largo y suelto, tapetes, alfombras muy acolchadas.

**MED** – Pelo mediano a largo.

**LO** – Pelo corto a mediano.

**XLO** – La mayoría de las alfombras y pisos descubiertos.

## ACCESORIOS



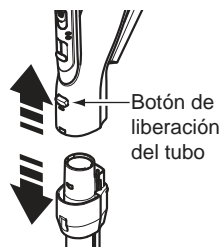
### CUIDADO

NO intente ni retire el mango ni los tubos cuando la aspiradora esté encendida. Esto podría causar chispas y dañar los contactos eléctricos o control electrónico.

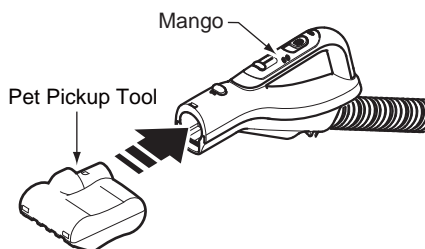
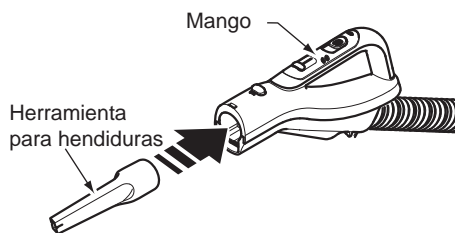
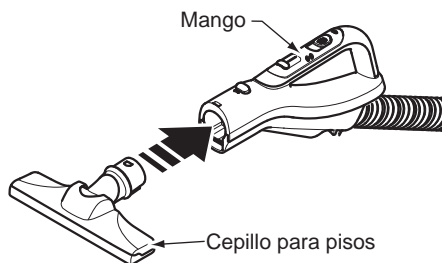
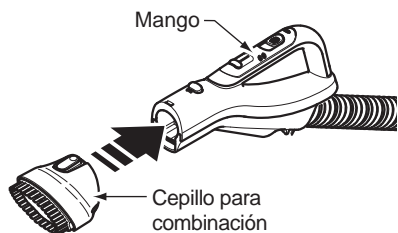
### ACCESORIOS DEL MANGO

**NOTA:** Si tiene instalada la boquilla de motorizado, apague la aspiradora antes de quitar el mango de los tubos.

1. Oprima el botón de liberación rápida del mango para liberar el mango y tire del mango hacia arriba.



2. Deslice el accesorio deseado con firmeza sobre el mango. Consulte: CUADRO DE USO DE LOS ACCESORIOS (page 21).



**NOTA:** Para remover el cepillo de combinación, presione el botón liberador y sepárelo.



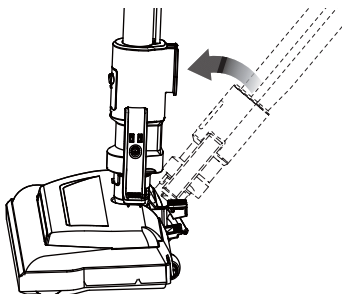


**NOTA:** Para remover el cepillo de piso y/o el cepillo para pelo de mascotas, presione el botón liberador del tubo y sepárelo.

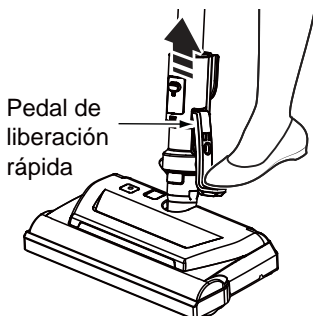


## ACCESORIOS DEL TUBO

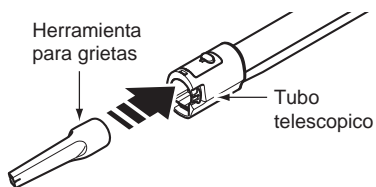
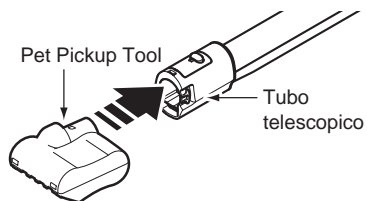
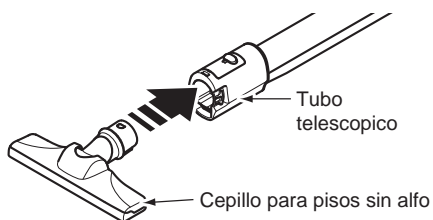
1. Para retirar los tubos de la Boquilla de motorizado, colóque los en la posición vertical de bloqueo.



2. Pise el pedal de liberación rápida del tubo y tire del tubo hacia arriba para desprenderlo de la Boquilla de motorizado.



3. Colo que el accesorio deseado sobre el tubo. Consulte la CUADRO DE USO DE LOS ACCESORIOS (page 21).



**NOTA:** Para remover el cepillo de piso y/o el cepillo para pelo de mascotas, presione el botón liberador del accesorio y sepárelo.



## CEPILLO PARA POLVO

El cepillo para polvo se utiliza en varias superficies. Consulte TABLA DE USO DE ACCESORIOS (page 21).

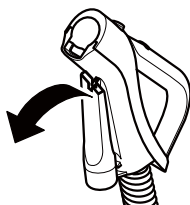
Para quitar el cepillo para polvo, presione la pestaña y levántelos del soporte.



Para colocarlo, inserte la pestaña del soporte en la ranura del cepillo para polvo y presione hasta que la pestaña encaje en su lugar.

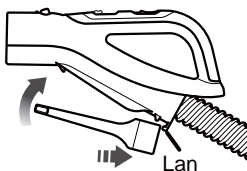
## HERRAMIENTA PARA HENDIDURAS

Retire la herramienta para esquinas jalándola de la parte plana.

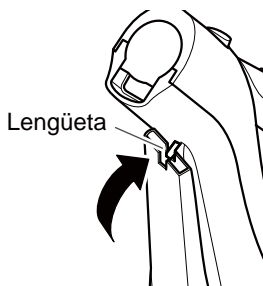


Para conectar la herramienta para hendiduras:

1. Poner la base del tubo esquinero dentro de la lengüeta en el mango como se muestra.



2. Aligner la fente sur le côté plat du suceur avec la languette sur la poignée.
3. Fixer le suceur sur la poignée jusqu'à ce qu'il se loge en place.



## CUADRO DE USO DE LOS ACCESORIOS

ACCESORIO	Area de Limpieza						
	Muebles <sup>1</sup>	Entre cojines <sup>1</sup>	Cortinas <sup>1</sup>	Escalones	Pisos descubiertos	Pisos alfombrados/ Alfombras	Paredes
Cepillo para pisos sin alfombrar 				√	√		√
boquilla de motorizado 					√ <sup>3</sup>	√	
Pet Pickup Tool 	√			√		√ <sup>4</sup>	
Cepillo para limpiar polvo 	√		√				√
Herramienta para grietas 	√	√					

1. Limpie siempre los accesorios antes de usarlos sobre telas.
2. Use la herramienta para pelo de mascota para quitarlos de superficies delicadas, como tapicería y cortinas. NO use sobre una mascota.
3. El interruptor de encendido/apagado de 3 posiciones debe estar en posición HARDFLOOR (piso sólido).
4. Al usar la herramienta de aspirado de pelo de mascotas en pisos alfombrados, es necesario colocar el interruptor de tres posiciones en CARPET (alfombra).

# CARACTERÍSTICAS DE RENDIMIENTO



## ADVERTENCIA

### Riesgo de lesiones personales

Apague siempre y desconecte la aspiradora antes de limpiar el área del agitador, ya que éste podría encenderse súbitamente. En caso contrario existe riesgo de lesiones personales.

## PROTECTOR CONTRA SOBRECARGAS / RESTABLECIMIENTO DE LA CORREA

El protector contra sobrecargas protege al motor contra atascamientos del cepillo y rotura de la correa. Si el agitador se ralentiza o detiene, el protector contra sobrecargas apaga el cepillo y la luz indicadora de estado del cepillo de rodillo se vuelve de color rojo.



Para corregir el problema: Apague la aspiradora, quite la obstrucción y luego encienda la aspiradora nuevamente. El indicador de estado del cepillo de rodillo estará apagado.

Si el problema persiste, lleve la aspiradora para que la repare un agente de servicio de Titan Vacuums u otro similarmente calificado.

## PROTECTOR TERMAL

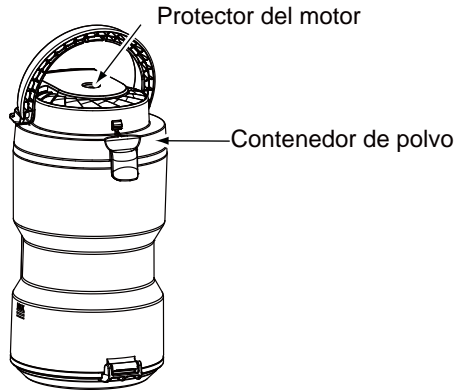
Esta aspiradora tiene un protector termal que se ajusta automáticamente para proteger a la aspiradora del sobrecalentamiento. Si una obstrucción impide el flujo normal de aire al motor, el protector termal apaga el motor automáticamente para permitir que el motor se enfríe a fin de evitar posibles daños a la aspiradora.

Para corregir el problema: Apagúe y desconecte la aspiradora para permitir que la aspiradora se enfríe y que el protector termal se reajuste. Busque y saque las obstrucciones, si es necesario. Examine también y reemplace/limpie cualquier filtro obstruido.

Véase QUITAR DE LOS RESIDUOS DE BASURA EN LOS CONDUCTOS (página 24). Espere aproximadamente cincuenta (50) minutos y enchufe la aspiradora y voltéela para checar si el protector termal se ha reajustado.

## PROTECTOR DEL MOTOR

Esta aspiradora también tiene una válvula de protección del motor para evitar que éste se sobrecaliente y sufra daños. La válvula se abre para proporcionar refrigeración por aire cuando un tapón evita el paso normal del aire hacia el motor de succión de la aspiradora. Observará un cambio en el sonido cuando el aire entre por la válvula.



Para corregir el problema: Vacíe el contenedor de polvo y limpie tanto el filtro principal como el prefiltro. Revise y saque los tapones, vacíe el contenedor de polvo si fuese necesario. Consulte ELIMINACIÓN DE TAPONES (page 24).

**NOTA:** No bloquee el protector del motor.

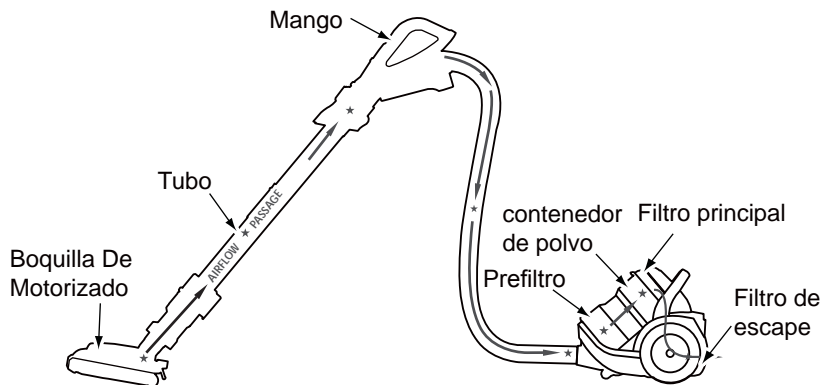
**NOTA:** El protector del motor podría abrirse al usar accesorios o al limpiar una alfombra nueva, debido a una reducción del caudal de aire provocado por los accesorios en sí o por la alfombra nueva.

# ELIMINACIÓN DE TAPONES

## ELIMINACIÓN DE TAPONES

La aspiradora crea succión o aspiración que levanta la tierra. La tierra es impulsada a través de las vías de flujo de aire hasta la bolsa por una rápida corriente de aire. La bolsa para polvo permite el flujo de aire, pero atrapa la tierra.

Para lograr los mejores resultados de limpieza, mantenga abiertas las vías de aire. Examine periódicamente las áreas indicadas con asteriscos (★) para asegurarse de que no estén bloqueadas. Apague y desconecte del receptáculo antes de revisarlo.



### PARA REVISAR SI HAY TAPONES

- Revise el contenedor de polvo y vacíelo si está lleno. Consulte VACIADO DEL CONTENEDOR DE POLVO (página 25).
- Revise el prefiltro, el filtro principal y el filtro de escape; limpie/cambie si están sucios. Consulte LIMPIEZA DEL PREFILTRO (página 28), LIMPIEZA DEL FILTRO PRINCIPAL (página 29) y LIMPIEZA DEL FILTRO DE ESCAPE (página 31).
- Revise la boquilla motorizada en búsqueda de suciedad o sedimentos en el área de la correa o del agitador. Extraiga cuidadosamente cualquier hebra o sedimento ubicados en el agitador o tapas del extremo. Consulte CÓMO LIMPIAR EL AGITADOR (página 38).

Si la aspiradora aun tiene una baja succión, haga lo siguiente:

1. Conecte la manguera a la aspiradora y enciéndala. Cheque el final de la manguera para la succión. Si hay buena succión en el mango de la manguera, no hay obstrucción en la manguera. Si la succión es mala, remueva cualquier suciedad u objeto en la manguera y mango.
2. Conecte la manguera al tubo telescópico. Cheque el final del tubo telescópico para la succión. Si hay buena succión al final, significa que no hay obstrucción en el tubo telescópico. Si la succión es mala, remover cualquier suciedad u objeto en el tubo telescópico.
3. Revisar el conducto de succión del boquilla de motorizado. Remover cualquier suciedad u objeto.

## LIMPIEZA DEL EXTERIOR Y DE LOS ACCESORIOS

1. Apagúe y desconecte el cor dón eléc trico de la cla vija de la pared. NO rocíe agua sobre la aspi ra dora.
2. Para limpiar el exterior o reducir la electricidad estática y acumulación de polvo, limpie la superficie exterior de la aspiradora y los accesorios, usando un trapo suave y limpio, mójelo en una solución de agua y detergente líquido, y exprímalo. Séquela después de limpiar.

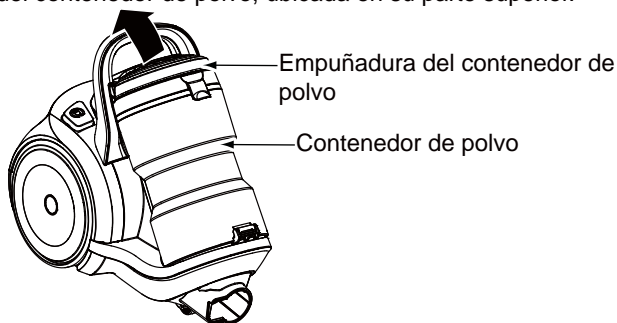
### CUIDADO

No use los accesorios si están mojados. Los accesorios que se utilizan en áreas sucias, debajo del refrigerador, no deben usarse en otras superficies sin antes ser lavados. Podrían dejar marcas.

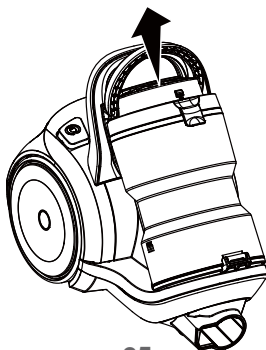
## VACIADO DEL CONTENEDOR DE POLVO

### CÓMO SACAR EL CONTENEDOR DE POLVO

1. Apague y desconecte la aspiradora.
2. Levante la empuñadura del contenedor de polvo, ubicada en su parte superior.

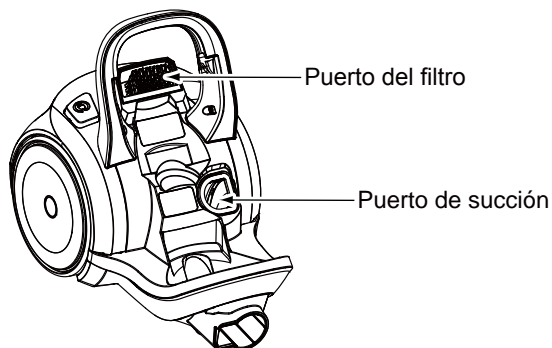


3. Tire la empuñadura hacia arriba y saque el contenedor de polvo de la aspiradora.



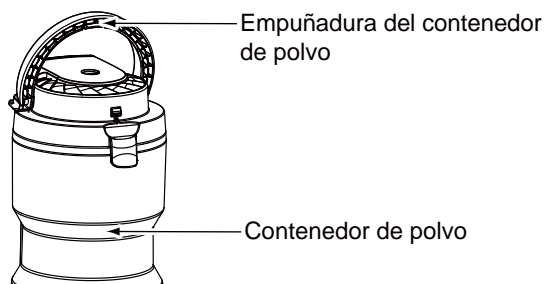


4. Quite cualquier obstrucción que pueda haber en el puerto de succión o en el área del puerto del filtro.

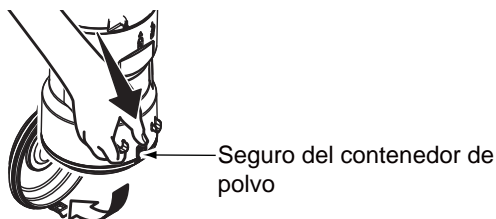


## VACIADO DEL CONTENEDOR DE POLVO

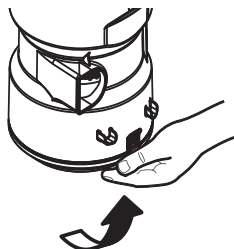
1. Gire la empuñadura del contenedor de polvo en posición vertical.



2. Sostenga el contenedor de polvo sobre un contenedor de basura.
3. Para abrir la puerta, presione el seguro del contenedor de polvo hacia afuera y abajo. La puerta se deslizará para abrirse y los sedimentos caerán sobre el contenedor de basura.

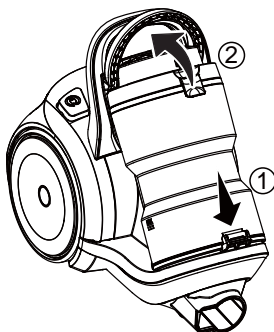


4. Agite el contenedor de polvo para soltar cualquier sedimento que pueda estar colgando en el prefiltro.
5. Después de vaciar el contenedor de polvo, cierre la puerta. Asegúrese de escuchar un sonido de “clic”, el cual indica que la puerta está completamente cerrada.

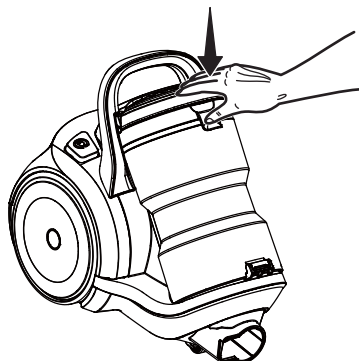


## REINSTALACIÓN DEL CONTENEDOR DE POLVO

1. Coloque el contenedor de polvo nuevamente en la aspiradora insertando primero su parte inferior e inclinándola hacia atrás con la empuñadura del contenedor de polvo levantada.



2. Baje la empuñadura del contenedor de polvo para fijarlo en posición. Se escuchará un “clic”.



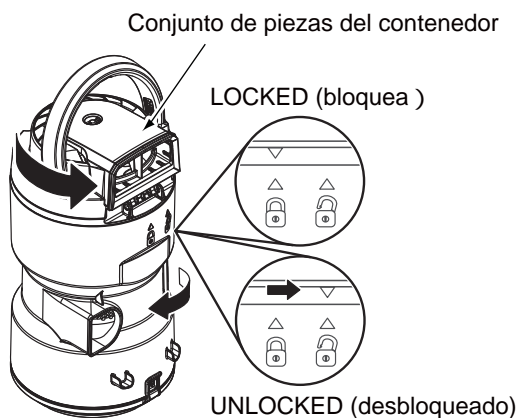
# LIMPIEZA DEL PREFILTRO

El prefiltro se encuentra dentro del contenedor de polvo. Revise frecuentemente el prefiltro y límpielo cuando esté sucio.

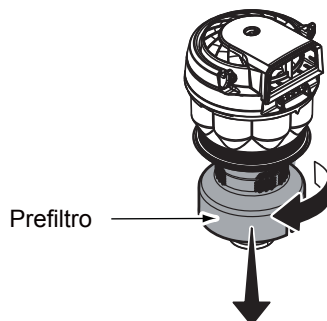
1. Quite el contenedor de polvo como se indica en la sección CÓMO SACAR EL CONTENEDOR DE POLVO (page 25).

**NOTA:** Antes de abrir, asegúrese de que el contenedor de polvo no tenga sedimentos.

2. Gire el contenedor de polvo hacia la izquierda, como se indica en la tapa, y levántelo.



3. Tome el prefiltro y gírelo hacia la izquierda para sacarlo.



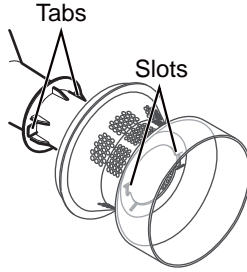
4. Limpie el prefiltro golpeándolo suavemente sobre un contenedor de basura. Para garantizar la mejor limpieza posible, golpéelo desde varios ángulos. De ser necesario, enjuague usando solo agua fría, NO use detergentes o jabón. Deje secar las piezas 24 horas antes de volver a colocarlas en la aspiradora.

**NO lavar en lavavajillas.**

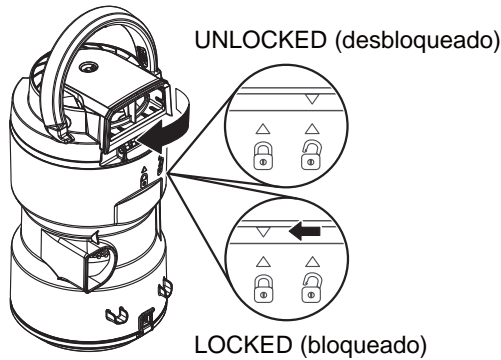
**NO instale el prefiltro si está mojado.**

**Para reinstalarlo:**

1. Alinee las ranuras del prefiltro con las pestañas de alineación de la tapa del contenedor de polvo.



- 2. Gire el prefiltro hacia la derecha para que quede fijo.
- 3. Reinstale la porción inferior del contenedor de polvo alineando las marcas como se indica, en UNLOCKED (desbloqueado, para limpiar).



- 4. Gire mientras presiona hasta que las marcas se alineen como se indica, en LOCKED (para usar).
- 5. Reinstale el contenedor de polvo. Consulte CÓMO REINSTALAR CONTENEDOR DE POLVO (page 27).

# LIMPIEZA DEL FILTRO PRINCIPAL

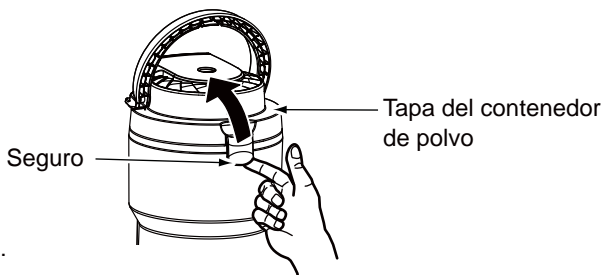
El filtro principal se encuentra dentro de la tapa del contenedor de polvo.



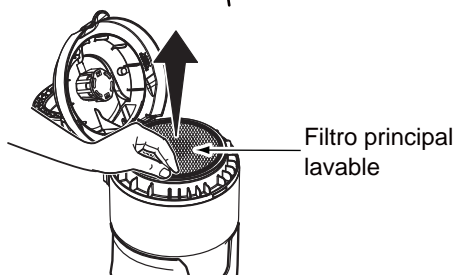
Se recomienda limpiar el filtro principal con agua fría al menos cada un (1) mes. Revise frecuentemente el filtro principal y límpielo cuando esté sucio.

**NOTA:** Cambie el filtro cuando limpiarlo ya no devuelve la potencia de succión a la aspiradora.

1. Quite el contenedor de polvo como se indica en la sección **CÓMO SACAR EL CONTENEDOR DE POLVO** (página 25).
2. Tire de la tapa del contenedor de polvo y ábrala.



3. Saque el filtro principal.



4. Lave usando solo agua fría, **NO** use detergentes o jabón. Estruje a mano y deje secar al aire. Deje secar las piezas 24 horas antes de volver a colocarlas en la aspiradora.

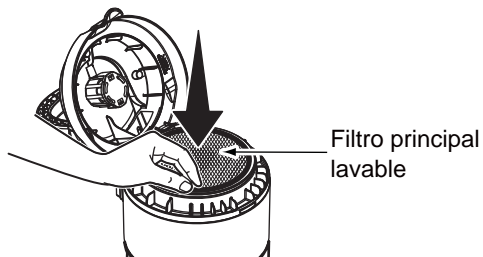
**NO usar sin el filtro principal instalado.**

**NO lavar en lavavajillas.**

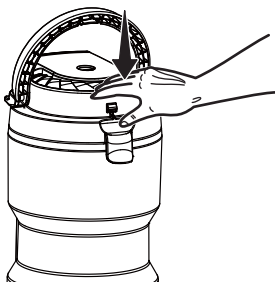
**NO instale el filtro principal si está mojado.**

**Para reinstalarlo:**

1. Coloque el filtro principal en la tapa del contenedor de polvo.



2. Cierre la tapa del contenedor de polvo. Asegúrese de que la tapa calce en posición. Se escuchará un “clic”.



3. Reinstale el contenedor de polvo. Consulte CÓMO REINSTALAR CONTENEDOR DE POLVO (página 27).

## LIMPIEZA DEL FILTRO DE ESCAPE



### ADVERTENCIA

Riesgo de incendio o descarga eléctrica

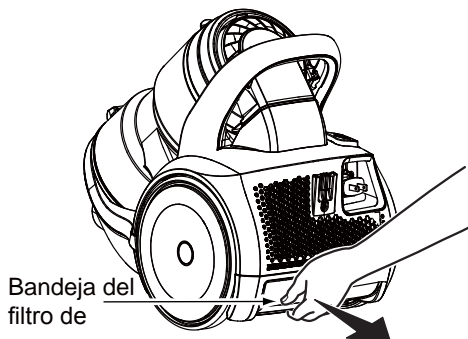
No use con un filtro de escape tapado, sin el filtro de escape instalado o sin la bandeja del filtro de escape instalada.

## FILTRO DE ESCAPE DE MEDIOS HEPA

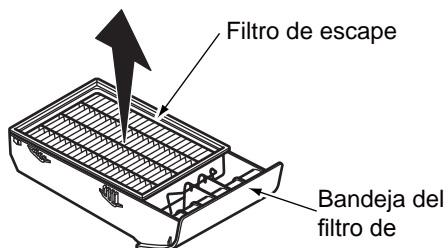
El cartucho del filtro de escape debe reemplazarse cuando esté sucio. Reemplace el filtro de escape cuando toda su superficie esté cubierta de forma pareja. El filtro de escape NO se puede lavar, ya que al hacerlo perdería su habilidad para atrapar el polvo.

**NOTA:** Para usar un filtro de escape de repuesto, consulte el número de pieza en la sección PIEZAS DE REPUESTO (page 7).

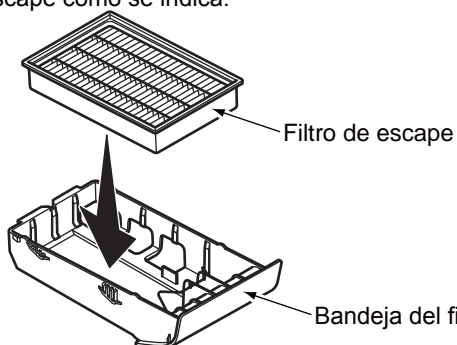
1. Saque hacia arriba y afuera la bandeja del filtro de escape del contenedor.



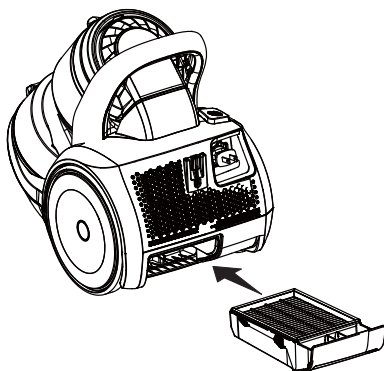
2. Saque el filtro de escape de la bandeja del filtro y deséchelo correctamente.



3. Reemplace el cartucho del filtro de escape. Coloque el nuevo cartucho del filtro en la bandeja del filtro de escape como se indica.

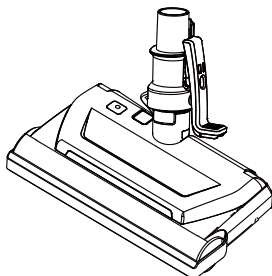


4. Reinstale la bandeja del filtro de escape. Presione hasta que quede fijo y cerrado.



# CUIDADO DE LA BOQUILLA DE MOTORIZADO

Siempre deberán seguirse todas las precauciones de seguridad antes de efectuar el mantenimiento a la boquilla de motorizado.



## ADVERTENCIA

### **Peligro de choque eléctrico o lesión corporal**

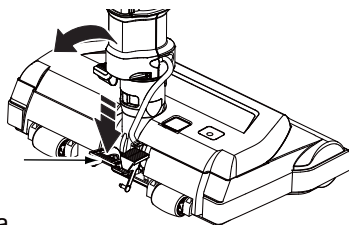
Apagúe y desconecte la aspiradora antes de efectuar el mantenimiento a su aspiradora. De lo contrario podría producirse un choque eléctrico o causar lesión corporal si la aspiradora arranca de manera imprevista.

## CAMBIO DE LA CORREA Y LIMPIEZA DEL AGITADOR

### **CÓMO SACAR LA CORREA**

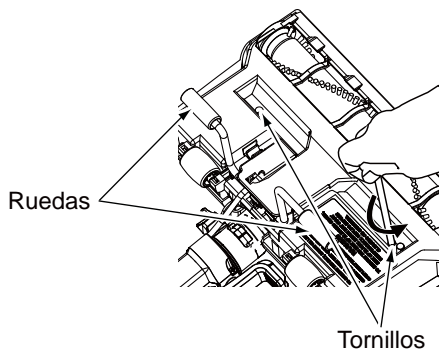
1. Apague y desconecte la aspiradora. Saque la vara de la boquilla motorizada.
2. Pise el pedal de liberación de la empuñadura para bajarla desde su posición recta.

Pedal de liberación de la empuñadura

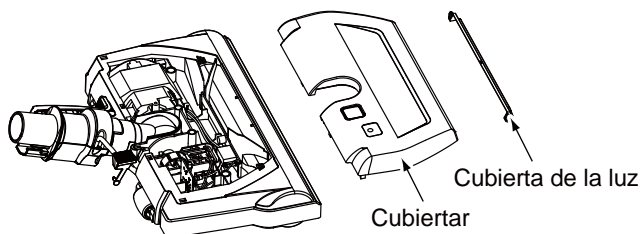




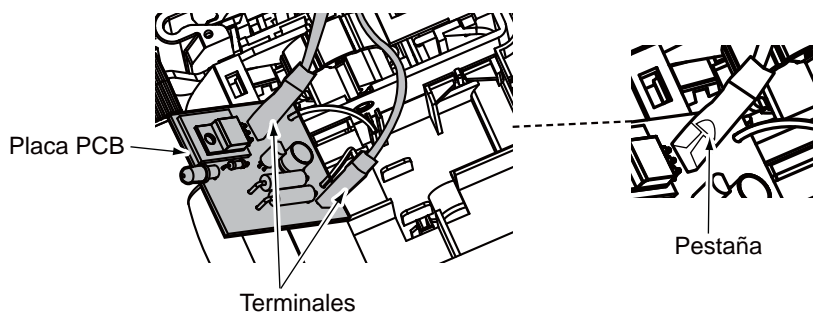
3. Voltee la boquilla motorizada boca abajo.
4. Levante las ruedas frontales para dejar expuestos los dos (2) tornillos. Suelte los dos tornillos.



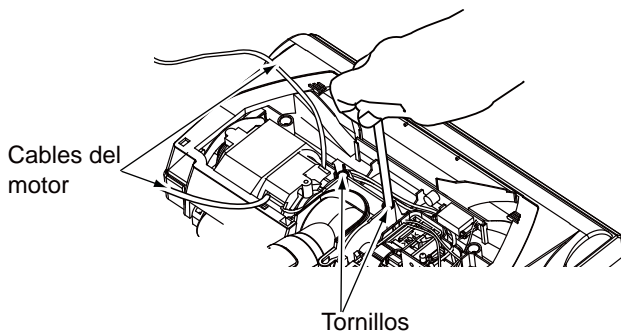
5. Voltee la boquilla boca abajo. Saque la cubierta superior y la cubierta de la luz.



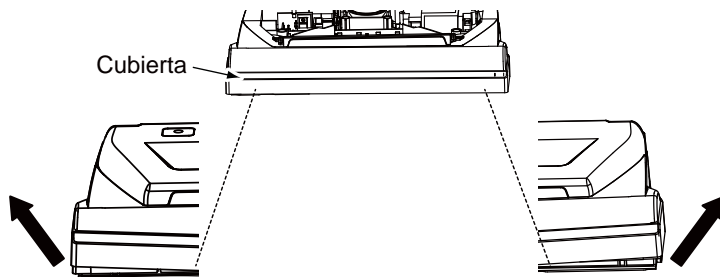
6. Saque la placa PCB de la ranura para identificar las dos terminales como se indica. Presione la pestaña pequeña de las terminales para sacar las dos (2) de la placa PCB. Suelte los dos cables del motor de las ranuras guía.



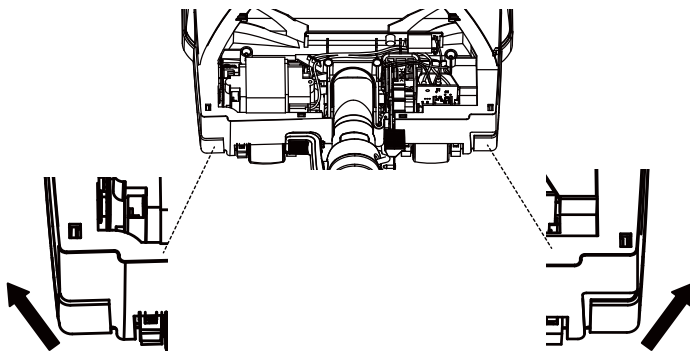
7. Saque los dos (2) tornillos de la cubierta intermedia.



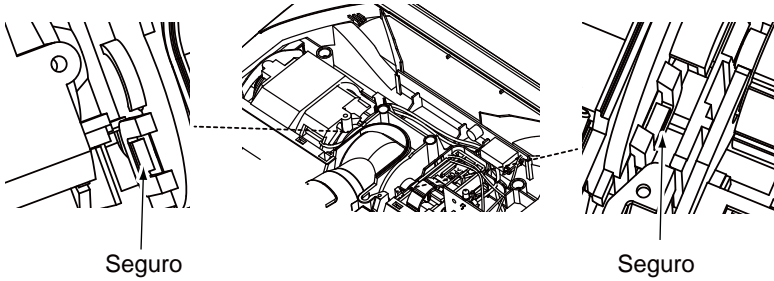
8. Tome firmemente un costado de la sección frontal de la cubierta intermedia y sáquela. Luego, tome el otro costado y sáquelo.



9. Tome firmemente ambos costados de la sección frontal de la cubierta intermedia y sáquela.



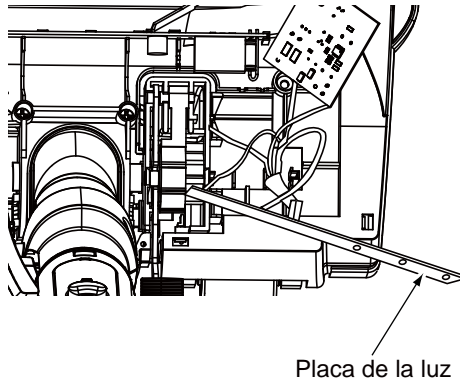
10. Revise que los dos seguros de la empuñadura estén sueltos como se indica. Asegúrese de que la cubierta intermedia completa esté suelta de la base.



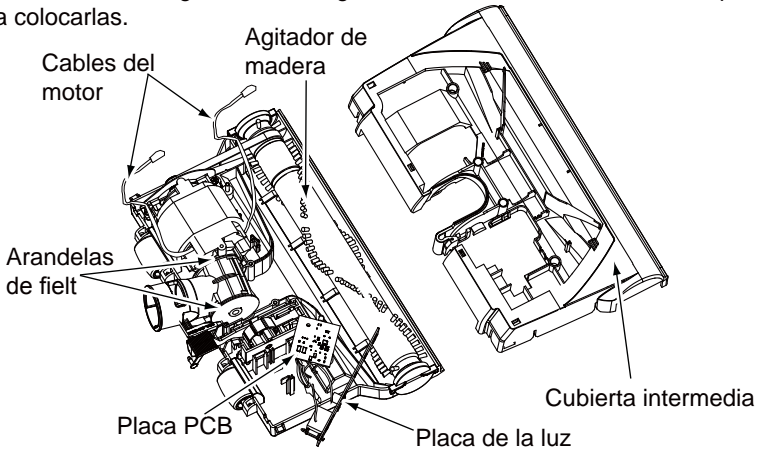
11. Saque el cable de alimentación de la boquilla del canal del cable.



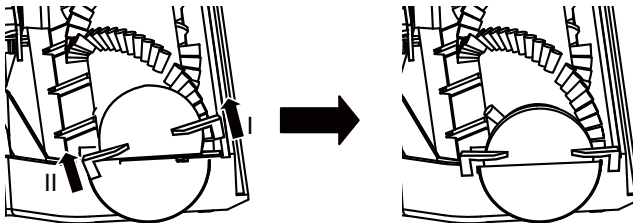
12. Suelte la placa de la luz de la ranura.



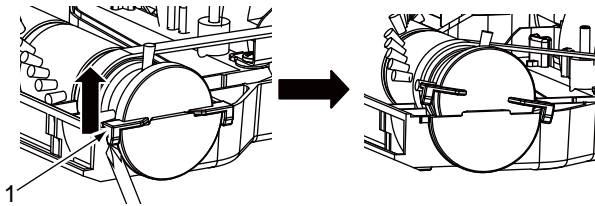
13. Saque la cubierta intermedia. Con cuidado, pase la placa PCB y la placa de la luz a través de la cubierta intermedia. Luego, pase los dos cables del motor a través de la cubierta intermedia. Tenga cuidado de guardar las dos arandelas de fieltro para luego volver a colocarlas.



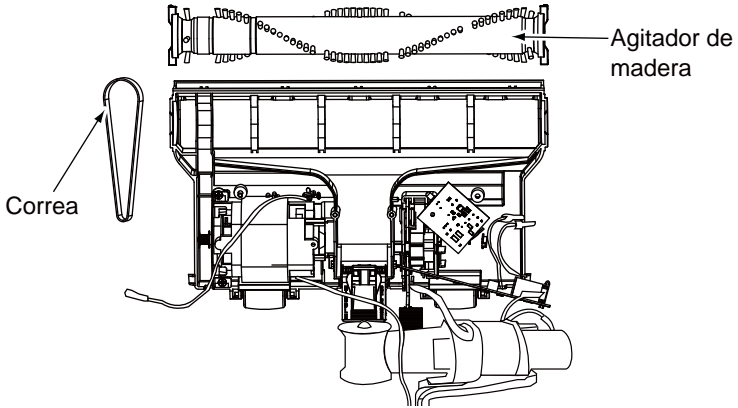
14. Para sacar el agitador de madera, saque primero el lado sin correa. Levante la tapa del extremo como se indica y suelte el lado sin correa de la base.



15. Saque el lado con correa del agitador. Use una herramienta apta (como un destornillador) para sacar la tapa del extremo en la posición 1 como se indica; luego, suelte el lado con correa de la base.



16. Saque el agitador de madera y la correa gastada.



17. Revise y limpie tanto el agitador de madera como la correa. Consulte CONJUNTO DE PIEZAS DEL AGITADOR (página 38) para ver una imagen del agitador completo.

## LIMPIEZA DEL AGITADOR

**NOTA:** Para mantener una alta eficiencia y evitar daños a su aspiradora, el agitador se debe limpiar cada vez que se cambie la correa.

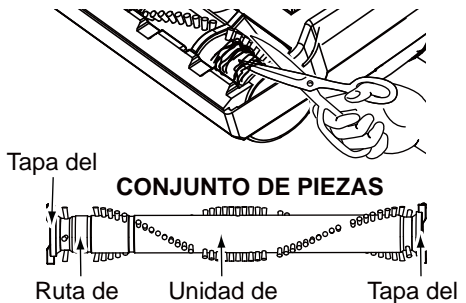
El agitador también debe limpiarse bajo el siguiente programa:

<u>Uso de la aspiradora</u>	<u>Limpieza del agitador</u>
INTENSO - (todos los días)	cada semana
MODERADO - (2-3 veces por semana)	cada mes
LIGERO - (1 vez por semana)	cada 2 meses

### IMPORTANTE

Apague y desconecte la aspiradora de la toma de corriente. Revise y saque pelos, hebras y acumulaciones de pelusas frecuentemente del agitador de la boquilla motorizada y extremos.

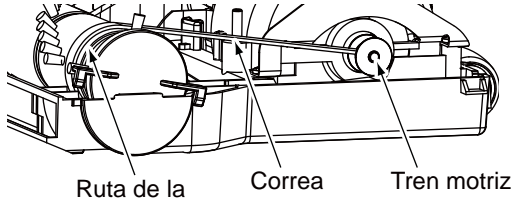
Saque cualquier suciedad o sedimentos del área de la correa o del cepillo de rodillo. Extraiga cuidadosamente cualquier hebra o sedimento ubicados en el agitador o tapas del extremo.



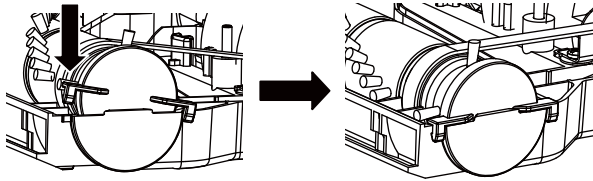
## CAMBIO DE LA CORREA

**NOTA:** Para usar una correa de repuesto, consulte el número de pieza en la sección PIEZAS DE REPUESTO (page 7).

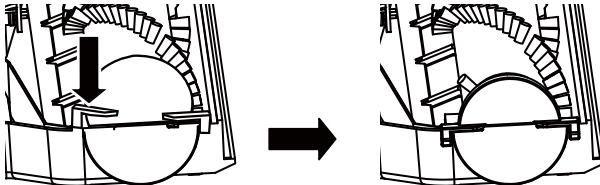
1. Instale la correa nueva sobre el tren motriz y luego sobre la ruta de la correa.



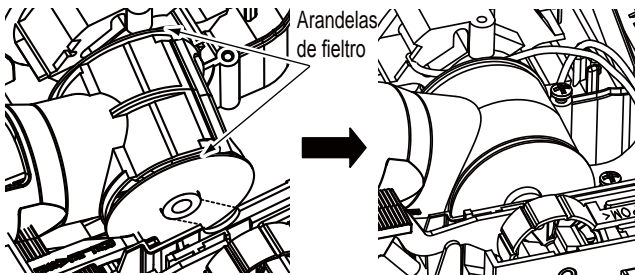
2. Instale el lado con correa del agitador nuevamente en la base. Reinstale la tapa del extremo en posición y presione firmemente como se indica hasta que quede fija.



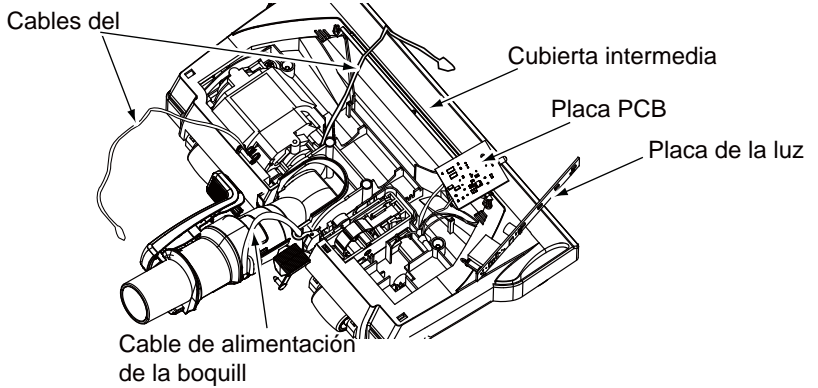
3. Instale el lado sin correa del agitador. Reinstale la tapa del extremo en posición y presione como se indica hasta que quede fija.



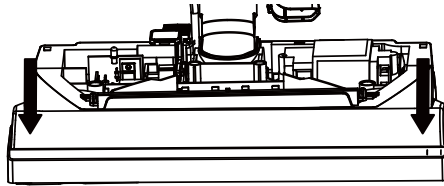
4. Antes de reinstalar la cubierta intermedia, reinstale las dos arandelas de fieltro en la empuñadura en las posiciones correctas como se indica.



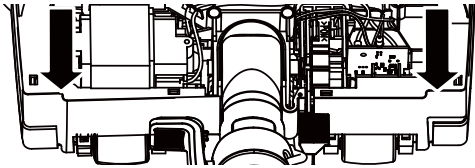
5. Cruce la placa PCB, la placa de la luz y los dos cables del motor a través de la cubierta intermedia y reinstale la cubierta intermedia en la base. Asegúrese de que ambas arandelas de fieltro estén completamente cubiertas por la cubierta intermedia. Reinstale el cable de alimentación de la boquilla en el canal del cable.



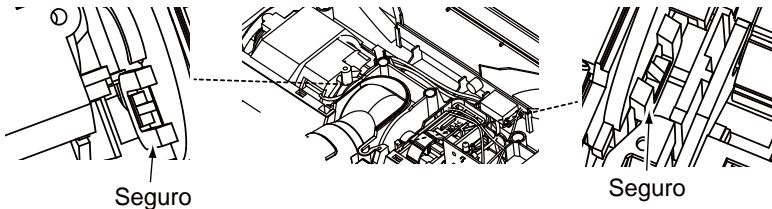
6. Presione firmemente ambos lados de la sección frontal de la cubierta intermedia hasta que calce en posición.



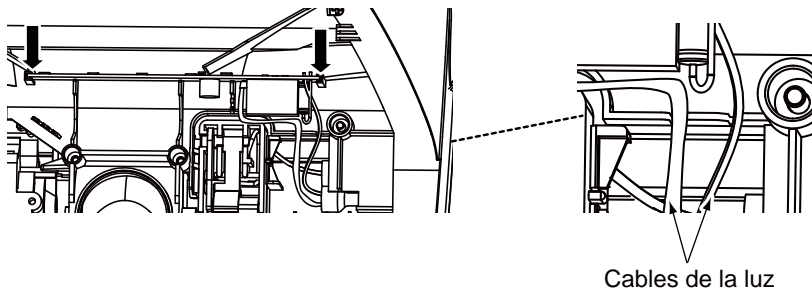
7. Presione firmemente ambos lados de la sección posterior de la cubierta intermedia hasta que calce en posición.



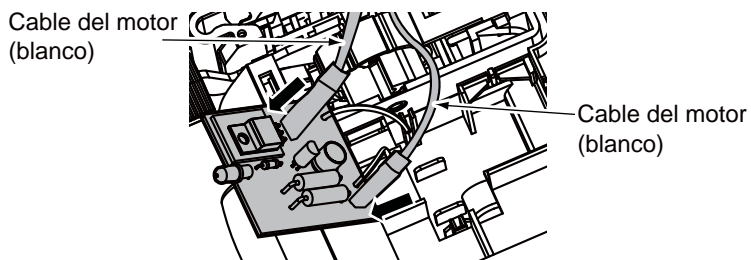
8. Revise que los dos seguros de la empuñadura estén bloqueados como se indica. Asegúrese de que no haya brechas entre la cubierta intermedia y la base.



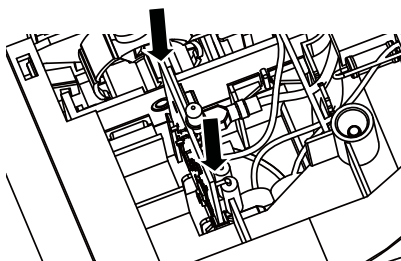
9. Reinstale la placa de la luz de la ranura. Pase los cables de la luz (blanco y negro) a través de las ranuras guía como se indica.



10. Conecte las dos terminales a la placa PCB. Asegúrese de que los cables blanco y negro del motor estén conectados a la posición correcta como se indica.

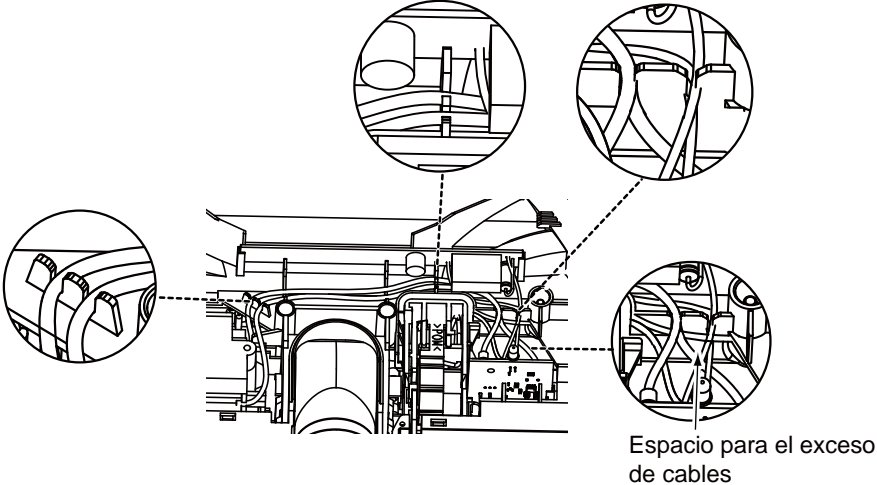


11. Reinserte la placa PCB en la ranura como se indica.

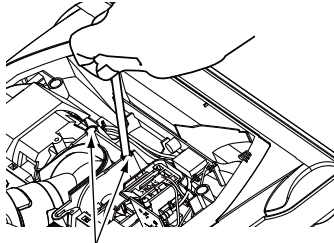




12. Pase los cables blanco y negro del motor por las ranuras guía en línea recta. Coloque el resto de cable bajo la cubierta intermedia como se indica.

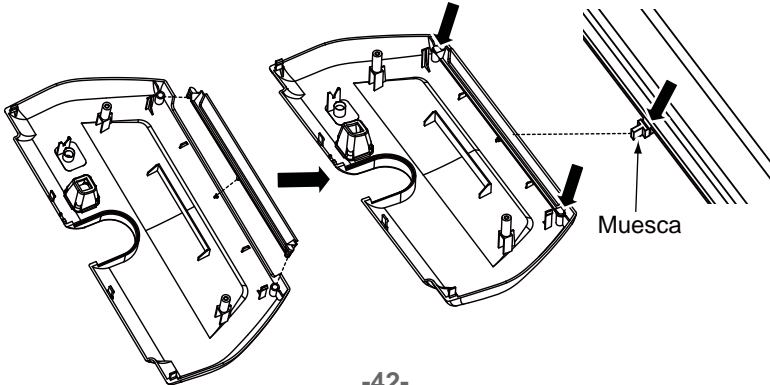


13. Instale los dos (2) tornillos en la cubierta intermedia.

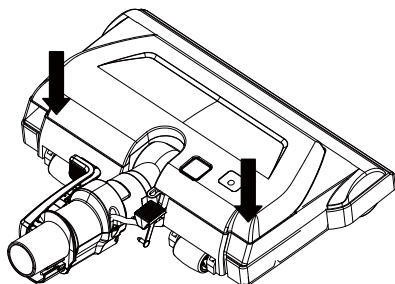


Tornillos

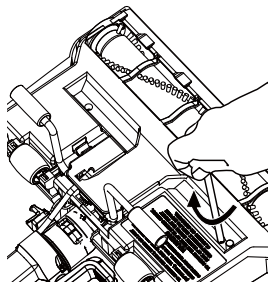
14. Alinee la cubierta de la luz con la cubierta superior e inserte la cubierta de la luz en la cubierta superior. Asegúrese de que la muesca de la cubierta superior y la cubierta de la luz estén bien conectadas.



15. Reinstale la cubierta superior y la cubierta de la luz. Presione la cubierta firmemente hasta que calce en posición. Asegúrese de que no haya brechas entre la cubierta superior y la cubierta intermedia.



16. Reinstale la cubierta superior y la cubierta de la luz. Presione la cubierta firmemente hasta que calce en posición. Asegúrese de que no haya brechas entre la cubierta superior y la cubierta intermedia.



# REPARACIÓN DEL AGITADOR



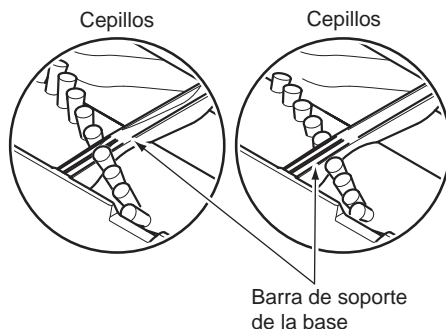
## ADVERTENCIA

### Riesgo de descarga eléctrica o lesiones personales

Siempre apague y desconecte la aspiradora antes de realizarle tareas de mantenimiento. No hacer esto podría provocar descargas eléctricas o lesiones personales provocadas por un encendido súbito de la aspiradora.

## REVISIÓN DE LOS CEPILLOS

Cuando los cepillos están gastados al nivel de las barras de soporte de la base, cambie el conjunto de piezas del agitador.



## REEMPLAZO DEL CONJUNTO DE PIEZAS DEL AGITADOR

1. Saque la cubierta superior de la boquilla motorizada, la cubierta intermedia, la correa y el agitador de madera. Consulte "CÓMO SACAR LA CORREA" en CAMBIO DE CORREA Y LIMPIEZA DEL AGITADOR (página 33-38).
2. Cambie el agitador. Consulte su lista de piezas de reparación para conocer los números de las piezas.
3. Reinstale la cubierta del agitador y de la boquilla motorizada. Consulte "CAMBIO DE LA CORREA" en CAMBIO DE CORREA Y LIMPIEZA DEL AGITADOR (página 39-43).

# RESOLUCIÓN DE PROBLEMAS

Revise esta tabla para encontrar soluciones que pueda aplicar usted mismo a problemas de rendimiento menores. Cualquier otra reparación necesaria debe ser realizada por un agente de servicio de Titan Vacuums o similarmente calificado.



## ADVERTENCIA

Siempre apague y desconecte la aspiradora antes de realizarle tareas de mantenimiento. El no seguir estas indicaciones puede provocar lesiones personales o descargas eléctricas.

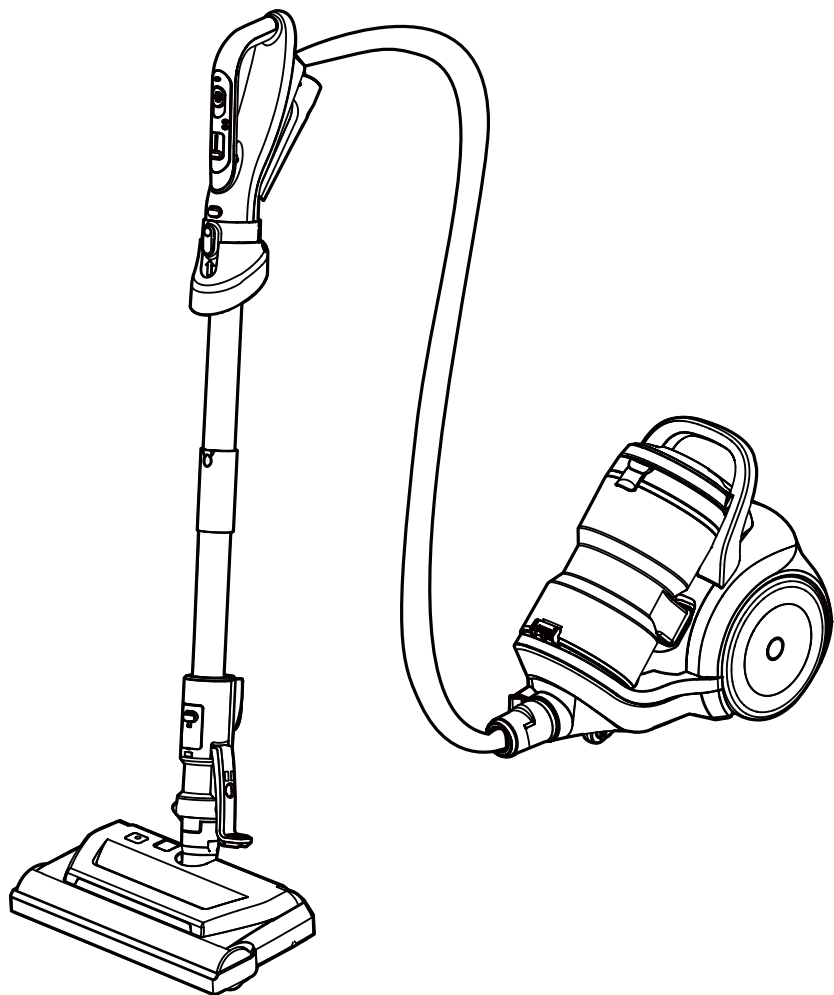
PROBLEMA	POSIBLE CAUSA	SOLUCIÓN
La aspiradora no enciende.	La clavija no está conectada en la toma de corriente.	Asegúrese de que la clavija del cable esté completamente insertada en la toma de corriente. Mueva el interruptor a la posición HARDFLOOR (piso sólido) o CARPET (alfombra).
	Fusible quemado/disyuntor activado en el panel eléctrico de la casa.	Reinicie el automático o cambie el fusible.
	Conexiones eléctricas de la manguera sueltas.	Reconecte los extremos de la manguera (página 9-10).
El trabajo de recolección de polvo es deficiente o la potencia de succión es débil.	Contenedor de polvo lleno o tapado.	Vacíe y limpie el contenedor de polvo (página 25-27).
	Rutas de aire tapadas.	Limpie las rutas de aire (página 24).
	Filtros sucios.	Limpie/cambie los filtros (página 28-32).
	Ajuste de altura de grosor equivocado.	Cambie el ajuste (página 16).
	El control de succión electrónico está en posición baja.	Ajuste el control de succión electrónico (página 14).

	Orificio en la manguera.	Cambie la manguera.
	Agitador de la boquilla gastado.	Cambie el agitador (página 33-44).
	Correa gastada o rota.	Consulte CAMBIO DE LA CORREA Y LIMPIEZA DEL AGITADOR (página 33-43).
	Agitador o tapas del extremo sucios.	Consulte CAMBIO DE LA CORREA Y LIMPIEZA DEL AGITADOR (página 33-43).
	El contenedor de polvo está instalado incorrectamente.	Consulte VACIADO DEL CONTENEDOR DE POLVO (página 25-27).
	Tapa del contenedor de polvo y contenedor de polvo mal ensamblados.	Consulte LIMPIEZA DEL PREFILTRO (página 28-29).
La aspiradora enciende, pero se apaga.	Manguera incorrecta o conexiones eléctricas incorrectas.	Revise las conexiones; reconecte los extremos de la manguera (página 9-10).
	Protector de sobrecarga activado en la boquilla motorizada.	Apague la aspiradora y saque cualquier objeto atrapado o atascado. Luego, vuelva a encender la aspiradora. Si la aspiradora se enciende y deja de funcionar nuevamente, limpie el agitador y los extremos. Luego, restablezca la aspiradora (página 22).
	Protector térmico activado en el contenedor.	Consulte PROTECTOR TÉRMICO (página 22).
La boquilla motorizada no funciona al estar instalada.	Conexiones de la boquilla desconectadas.	Enchufe firmemente.
	Correa gastada o rota.	Consulte CAMBIO DE LA CORREA Y LIMPIEZA DEL AGITADOR (página 33-43).
	Agitador o tapas del extremo sucios.	Consulte CAMBIO DE LA CORREA Y LIMPIEZA DEL AGITADOR (página 33-43).

	Protector de sobrecarga activado en la boquilla motorizada.	Apague la aspiradora y saque cualquier objeto atrapado o atascado. Luego, vuelva a encender la aspiradora. Si la aspiradora se enciende y deja de funcionar nuevamente, limpie el agitador y los extremos. Luego, restablezca la aspiradora (página 22).
	El interruptor no está en la posición CARPET (alfombra).	Mueva el interruptor hasta la posición CARPET (alfombra) (página 13-14).
La aspiradora succiona alfombras móviles o la boquilla empuja demasiado fuerte.	Ajuste de altura de grosor equivocado.	Cambie el ajuste (página 16).
	La succión es demasiado potente.	Ajuste el control de succión electrónico para reducir la succión (página 14).
La luz no funciona.	Luz LED quemada.	Lleve la aspiradora a un agente de servicio Titan Vacuums u a otro igualmente calificado para que cambie la luz LED.
El cable no enrolla.	Cable de alimentación sucio.	Limpie el cable de alimentación.
	Cable atascado.	Saque el cable y enrolle (página 12-13).
La aspiradora deja marcas en la alfombra.	Patrón de aspirado incorrecto.	Consulte los CONSEJOS DE ASPIRADO (página 14-16).

# TITAN

Guide d'Utilisateur



TITAN T8000  
ASPIRATEUR-TRAÎNEAU DELUXE

# TABLE DES MATIERES

SECTION	PAGE
Avant d'utiliser votre Nouvel Aspirateur.....	2
Garantie Aspirateur TITAN.....	3
Consignes Importantes de Securite.....	4-5
Pièces et Fonctionnalités.....	6-9
Instructions de montage.....	9-11
Instructions d'utilisation.....	12-21
Caractéristiques de Performance.....	22-23
Retirer les obstructions.....	24-32
Soin électro-brosse motorisée.....	33-44
Dépannage.....	45-47

## AVANT D'UTILISER VOTRE NOUVEL ASPIRATEUR

Veuillez lire ce guide. Il vous aidera dans le montage et l'utilisation de votre nouvel aspirateur TITAN de la manière la plus sécurisée et la plus efficace.

Vous devrez enregistrer votre aspirateur en nous appelant au +1 (844) 202-9924 ou en visitant nous en ligne à TitanVacs.com. Veuillez avoir votre numéro de modèle et votre numéro de série disponibles pour compléter le processus d'inscription.

Le modèle et le numéro de série de votre aspirateur se trouvent sur l'étiquette. Dans l'espace ci-dessous, notez le modèle et le numéro de série de votre nouvel aspirateur TITAN.

N° modèle \_\_\_\_\_

N° de Série \_\_\_\_\_

Date d'Achat \_\_\_\_\_

Gardez ce guide et le ticket de caisse dans un endroit sûr pour une référence ultérieure.



# GARANTIE ASPIRATEUR TITAN

## GARANTIE LIMITEE TITAN

Cet appareil est garanti **PENDANT UN AN** à compter de la date d'achat contre les défauts de matériel ou de fabrication lorsqu'il est proprement installé, exploité et entretenu selon toutes les consignes fournies.

A L'AIDE DU TICKET DE CAISSE, un appareil défectueux sera réparé ou remplacé au gré du vendeur.

Cette garantie s'applique pendant **90 JOURS** uniquement à partir de la date d'achat si l'appareil est utilisé en dehors des ménages privés.

Cette garantie couvre **UNIQUEMENT** les défauts de matériel et de fabrication, elle **NE** couvre pas:

1. Articles consommables susceptibles de s'user par suite d'une utilisation normale, notamment (liste non exhaustive) filtres et courroies.
2. Un technicien pour nettoyer ou effectuer un entretien sur cet appareil, ou bien pour conseiller l'utilisateur au montage, à l'exploitation ou à l'entretien adéquats de l'appareil.
3. Déplacement de techniciens pour corriger un montage qui n'a pas été effectué par des techniciens agréés par Titan Vacuums, ou pour corriger les problèmes relatifs aux fusibles, disjoncteurs, câblage, tuyauteries ou systèmes d'alimentation en gaz du fait de ce montage.
4. Dommages ou défaillance de cet appareil du fait d'un montage non-effectué par des techniciens agréés par Titan Vacuums, y compris un montage qui n'est pas en accord avec les codes d'électricité, gaz ou tuyauteries.
5. Dommages ou défaillance de cet appareil, y compris une décoloration ou rouille, s'il n'est pas exploité et entretenu selon les consignes fournies.
6. Dommages ou défaillance de cet appareil, y compris une décoloration ou rouille, du fait d'un accident, modification, abus, mauvais usage ou usage à d'autres fins que prévu.
7. Dommages ou défaillance de cet appareil, y compris une décoloration ou rouille, du fait d'utiliser des détergents, agents nettoyants, agents chimiques ou ustensiles autres que ceux qui sont recommandés dans toutes les consignes fournies avec le produit.
8. Dommages ou défaillance des pièces ou des systèmes du fait de modifications nonautorisées effectuées sur cet appareil.
9. Prestation sur un appareil dont le modèle et la plaque de série sont absents, modifiés ou ne peuvent être facilement déterminés afin d'obtenir le logo de certification adéquat.

### **Exclusion de garanties tacites ; restriction des recours**

Le seul recours exclusif du client sous cette garantie limitée est celui d'une réparation ou remplacement du produit comme prévu par la présente. Les garanties tacites, y compris les garanties de valeur marchande ou d'adéquation pour un objectif spécifique, sont limitées à un an ou à la période la plus courte autorisée par la loi. Le vendeur ne peut être tenu responsable de quelque dommage indirect ou consécutif. Certains états ou provinces ne permettent pas l'exclusion ou la limitation de dommages indirects et consécutifs ni la limitation sur la durée des garanties tacites de valeur marchande ou d'adéquation, donc il est possible que ces exclusions ne s'appliquent pas à vous.

Cette garantie est applicable uniquement si l'appareil est utilisé aux États-Unis.

Cette garantie vous donne des droits spécifiques, il est possible que vous ayez d'autres droits qui varient d'un État à l'autre.

# CONSIGNES IMPORTANTES DE SECURITE

**Lire toutes les consignes dans ce guide avant de monter ou d'utiliser votre aspirateur.**

## **AVERTISSEMENT**

Votre sécurité est importante pour nous. Afin de réduire les risques d'incendie, de chocs électriques, de blessures corporelles ou de dommages suite à l'utilisation de votre aspirateur, suivre les précautions de sécurité de base suivantes:

1. Utiliser votre aspirateur uniquement selon les consignes dans ce guide. Utiliser uniquement avec les accessoires recommandés par Titan Vacuums.
2. Mettre hors tension avant d'effectuer une révision ou un nettoyage autour de la brosse. Le non-respect de cet avis peut entraîner un choc électrique ou un lancement soudain de la brosse.
3. Ne pas laisser l'aspirateur branché à une fiche de courant. Débranchez-le quand il n'est pas utilisé et avant d'effectuer l'entretien.
4. Afin de réduire le risque de choc électrique, ne l'utilisez pas à l'extérieur ou sur des surfaces humides.
5. Ne pas utiliser ce produit comme un jouet. Une attention particulière est essentielle si l'appareil est utilisé par ou à proximité des enfants.
6. Ne pas utiliser l'appareil si le câble ou la fiche sont endommagés. Si l'aspirateur ne fonctionne pas correctement, a subi une chute, a été endommagé, placé dehors ou est tombé dans l'eau, le retourner au Titan Vacuums Service Center.
7. Ne pas tirer ou porter par le câble, ni utiliser le câble comme poignée ni tirer le câble autour d'angles pointus. Ne pas passer l'aspirateur sur le câble. Éloigner le câble de surfaces chaudes.
8. Ne pas débrancher en tirant sur le câble. Pour débrancher, tenir la fiche et non pas le câble.
9. Ne pas tenir la fiche ni l'aspirateur avec des mains humides.
10. Ne pas insérer des objets dans les fentes.
11. Ne pas l'utiliser si une des fentes est bouchée ; garder loin de la poussière, des fibres pelucheuses, des cheveux et de tout objet susceptible de bloquer la circulation d'air.
12. Garder les cheveux, les vêtements amples, les doigts et toute partie du corps loin des fentes et des objets mobiles.
13. Mettre toutes les fonctions hors tension avant de débrancher.
14. Une attention particulière est essentielle lors du nettoyage d'escaliers.
15. Ne pas placer sur les chaises, tables, etc. Garder sur le sol.
16. Ne pas utiliser l'aspirateur pour aspirer des liquides inflammables ou combustibles (essence, des agents de nettoyage, parfums, etc.) ou dans des endroits où ils se trouvent. Les vapeurs émanant de ces substances peuvent créer un danger d'incendie ou d'explosion.
17. Ne pas aspirer des produits brûlant ou fumant, tel que des cigarettes, allumettes ou de la cendre chaude. Ne pas utiliser l'aspirateur sans le récupérateur de poussières et/ou les filtres en place.
19. Toujours nettoyer le récupérateur de poussières après avoir passé l'aspirateur sur des

nettoyants pour tapis, des désodorisants, des poudres et des poussières fines. Ces produits obstruent les filtres, réduisent le flux d'air et risquent d'endommager l'aspirateur. Ne pas nettoyer le récupérateur de poussières risque d'endommager définitivement l'aspirateur.

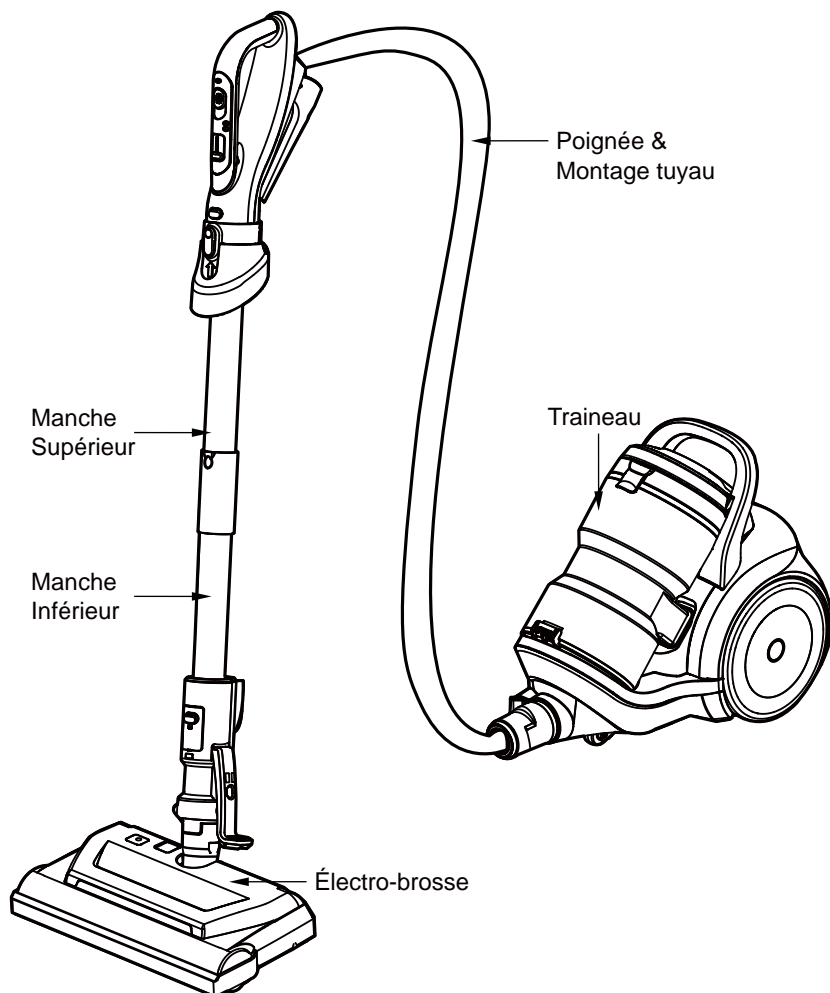
20. Ne pas aspirer des objets durs et pointus, des petits jouets, des épingles, des trombones, etc. Ils peuvent endommager l'aspirateur.
21. Ne pas mettre l'aspirateur en marche sans le filtre d'échappement ou sans un positionnement adéquat de la porte du filtre. Le tuyau contient des fils de fer électriques. Ne pas utiliser en cas de dommage, coupure, ou rupture. Remplacer en cas de coupure ou d'usure. Ne pas aspirer des objets pointus.
22. Toujours mettre hors tension l'appareil et le débrancher avant d'y raccorder ou d'en débrancher le tuyau, le tube-rallonge, la pelle à excréments pour animaux familiers ou la buse de plancher motorisée.
23. Tenir la fiche tout en l'enroulant sur la bobine du cordon. Éviter que la fiche ne se balance lors de l'enroulement.
24. Vous êtes responsable de vous assurer que l'aspirateur ne soit pas utilisé par une personne incapable de s'en servir correctement. unable to operate it properly.

## **GARDEZ CES INSTRUCTIONS**

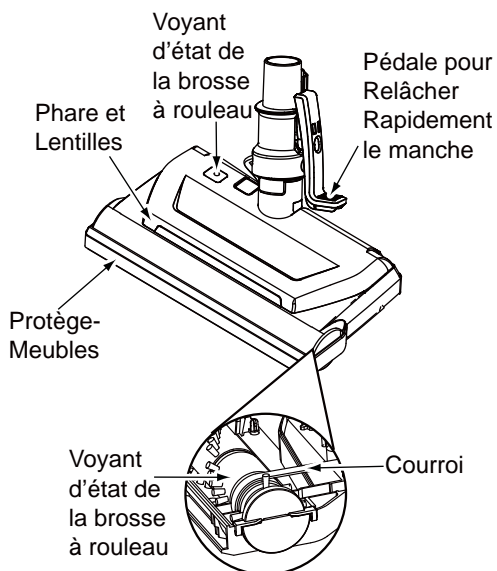
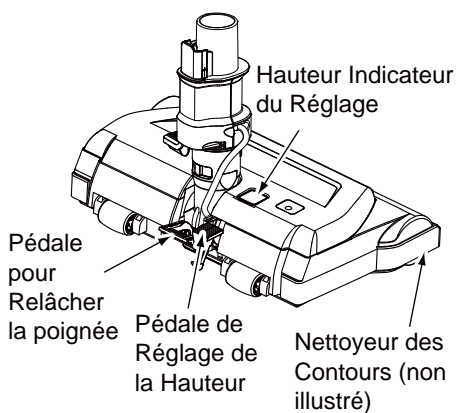
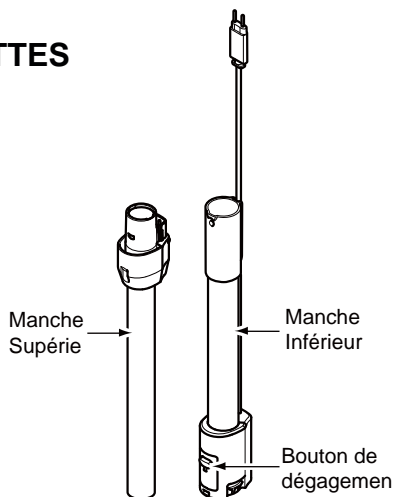
Il est de votre responsabilité de monter l'aspirateur et de l'utiliser correctement. Votre aspirateur est destiné à un usage ménager. Lire attentivement ce Guide d'utilisation & d'entretien pour des informations importantes sur l'usage et la sécurité. Ce guide contient des mesures de sécurité sous des symboles d'avertissement et de mise en garde.

# PIÈCES ET FONCTIONNALITÉS

Il est important de connaître les pièces et fonctionnalités de son aspirateur afin de l'utiliser proprement et en toute sécurité. Veuillez consulter cette section avant tout usage de votre aspirateur.



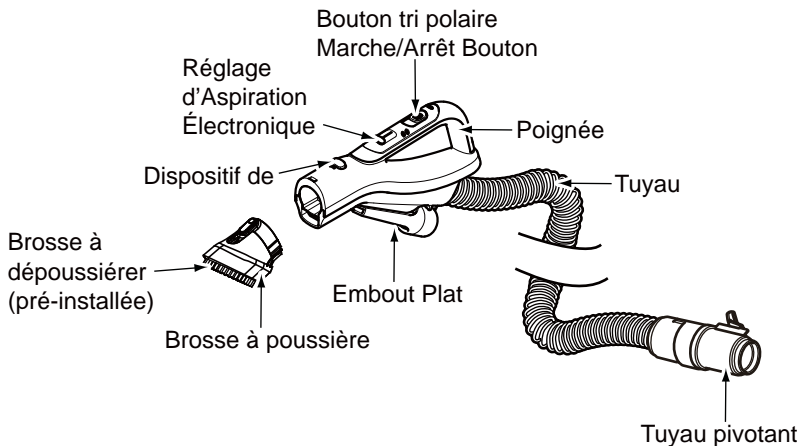
## ELECTRO-BROSSE & BAGUETTES



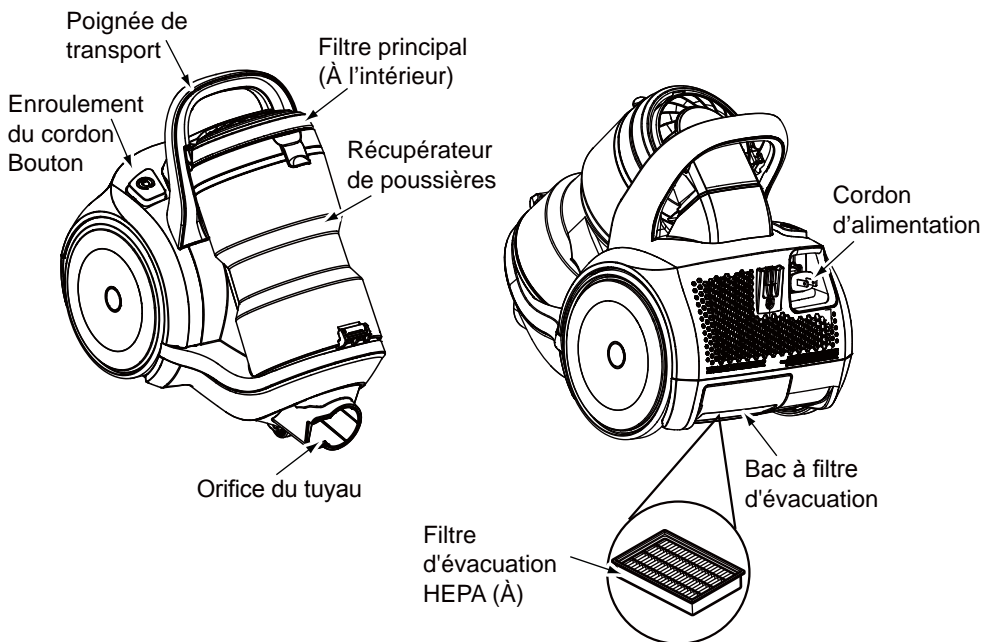
## PIÈCES DE RECHANGE

Article	N° de la Pièce
Courroi	591019102
Voyant d'état de la brosse à rouleau	591019104
Filtre d'échappement	591002114
Filtre principal	561014107

## HANDLE & HOSE ASSEMBLY



## TRAÎNEAU





Veillez accorder une attention particulière à ces signes d'avertissement de danger et suivre toute instruction donnée. Des AVERTISSEMENTS vous informent des dangers tels qu'un incendie, un choc électrique, des brûlures et des blessures corporelles. Des MISES EN GARDE vous informent des dangers tels que les blessures corporelles et/ou dégâts matériels.

## INSTRUCTIONS DE MONTAGE



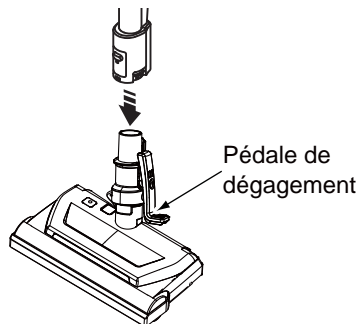
### AVERTISSEMENT

Danger de Choc Électrique NE PAS brancher sur une prise électrique avant le montage complet. Le non-respect entrainera un choc électrique ou des blessures.

### BUSE DE PLANCHER MOTORISÉE

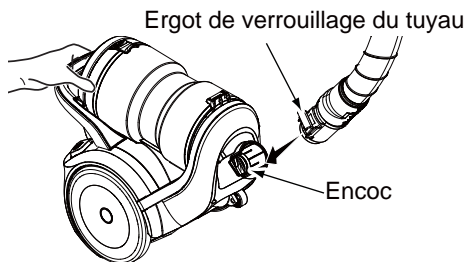
Insérez le tube inférieur sur la buse de plancher motorisée jusqu'à ce que celui-ci se verrouille en place.

Pour le retirer : Appuyez sur la pédale de dégagement rapide du tube-rallonge, puis tirez le tube vers le haut.

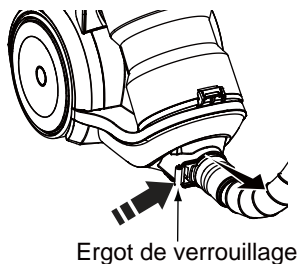


### TUYAU

Alignez l'ergot de verrouillage du tuyau sur l'encoche du capot du traîneau, puis insérez le tuyau dans le traîneau jusqu'à ce que celui-ci se verrouille en place.

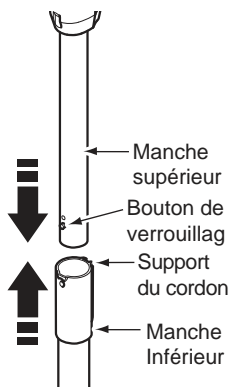


Pour retirer : Appuyez sur l'ergot de verrouillage du tuyau, puis tirez sur le tuyau pour le dégager.

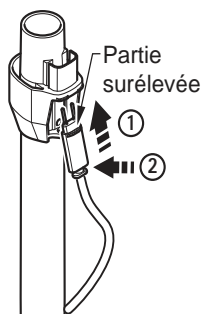


## WANDS

1. Insérer le manche supérieur dans le manche inférieur jusqu'à ce que le bouton de verrouillage se loge en place. Pour retirer : appuyer sur le bouton de verrouillage du manche et séparer les manches.



2. Insérer la fiche du cordon dans la prise comme illustré. NE PAS forcer. La partie surélevée de la fiche doit pointer vers la main.



3. Attacher le cordon dans son support derrière le manche.



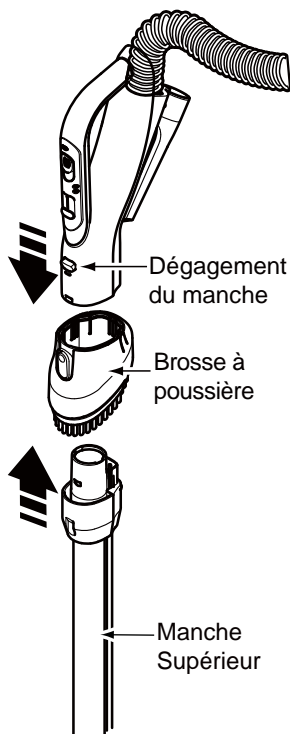
## POIGNÉE

Insérez le tube-rallonge dans la poignée jusqu'à ce que celui-ci se verrouille en place. Assurez-vous que le tuyau n'est pas tordu.

Pour retirer : Appuyez sur le bouton de dégagement du tube-rallonge, puis tirez sur la poignée vers le haut.

Vous pouvez ranger la brosse à dépeussier sur la poignée du tuyau en la plaçant sur la poignée du tuyau avant le tube supérieur.

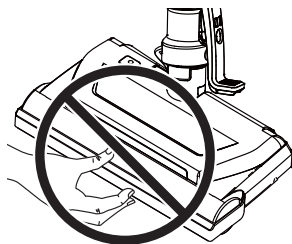
Pour ranger : Détacher le tuyau du manche et du traineau pour éviter une pression sur le tuyau. Ranger le tuyau en l'enroulant légèrement pour éviter une pression sur le couvercle du tuyau.



# INSTRUCTIONS D'UTILISATION

## ATTENTION

Pièces rotatives ! Afin de réduire le risque de blessures, NE PAS toucher l'agitateur lorsque l'aspirateur est en marche. Lorsque l'agitateur est en position rotative, il peut entraîner des coupures, hématomes ou autres blessures quand il est touché. Il faut toujours le mettre hors tension et le débrancher de la prise avant d'effectuer tout entretien. Faire attention à proximité des enfants.



## POUR DEMARRER

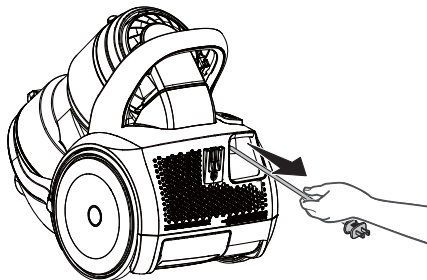
## AVERTISSEMENT

### Blessures Corporelles et Danger Dommages Produit

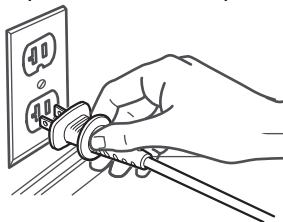
- NE PAS brancher si l'interrupteur est en position marche « ON ». Risque de blessures corporelles ou dégâts matériels.
- Le cordon s'enroule rapidement. Tenir hors de portée des enfants et prévoir un passage libre lors de l'enroulement du cordon pour éviter les blessures corporelles.
- NE PAS utiliser des prises au-dessus des comptoirs. Le cordon peut endommager les articles à proximité.
- En cas d'une anomalie/panne, arrêter l'utilisation du produit immédiatement et débrancher de la prise.

**REMARQUE:** Afin de réduire le risque de choc électrique, cet aspirateur a une fiche polarisée ; une lame est plus large que l'autre. Cette fiche rentre dans une prise polarisée d'une seule façon. Si la fiche ne rentre pas correctement dans la prise, inverser la fiche. Si elle ne rentre toujours pas, contacter un électricien agréé pour installer la bonne prise. Ne pas changer la prise du tout.

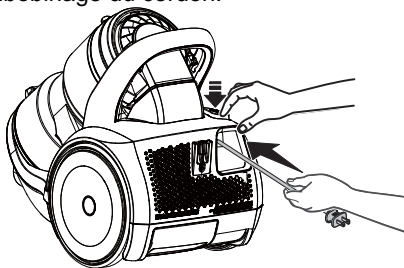
1. Retirer la longueur souhaitée de cordon du traineau. Le cordon n'embobine pas tant que le bouton de rembobinage n'est pas activé.



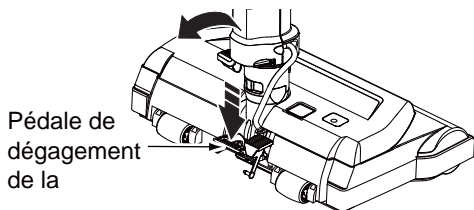
2. Brancher le cordon électrique polarisé dans une prise à 120 Volts située par terre.



Pour rembobiner : Mettre l'aspirateur hors tension et le débrancher. Tenir la fiche tout en enroulant afin d'éviter des dommages ou blessures du fait du cordon qui s'enroule. Appuyer sur le bouton rembobinage du cordon.



3. Abaissez la poignée de la position verticale en appuyant sur la pédale de dégagement de la poignée.



4. Régler la hauteur des poils en appuyant sur la pédale RÉGLAGE DE LA HAUTEUR sur le dos de l'électro-brosse. Le réglage de la hauteur des poils est affiché sur le voyant. Voir RÉGLAGE HAUTEUR DES POILS SUGGÉRÉ (page 16).

**Attention:** Se reporter aux instructions de nettoyage recommandées par votre fabricant de moquettes. Certaines moquettes plus délicates nécessitent d'être aspirées sans l'agitateur de buse pour éviter d'endommager la moquette.

5. Sélectionnez une position sur le commutateur On/Off (Marche/Arrêt) à 3 positions situé sur la poignée.

**CARPET (Tapis):** permet de mettre en marche le traîneau ainsi que la buse de plancher motorisée. Le phare et l'agitateur s'activent.

**HARDFLOOR (Planchers durs):** permet de démarrer uniquement le moteur du traîneau. Le phare et l'agitateur ne s'activent pas.



**OFF (Arrêt):** permet de mettre hors tension l'aspirateur.

**REMARQUE :** Lorsque ce commutateur est positionné sur HARDFLOOR (Planchers durs), le phare de la buse NE fonctionne PAS car aucun courant électrique ne circule dans la buse de plancher motorisée.



## ATTENTION

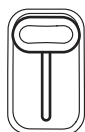
NE PAS laisser l'électro-brosse tourner à un seul endroit longtemps. Ceci pourrait endommager le tapis.

## RÉGULATION ELECTRONIQUE D'ASPIRATION

La commande d'aspiration électronique vous permet de modifier la puissance du moteur d'aspiration de votre aspirateur.

High Power (Puissance élevée) augmente l'aspiration de tissus d'ameublement et de tapis.

Low Power (Faible puissance) réduit l'aspiration de rideaux ou tentures et de tapis légers.



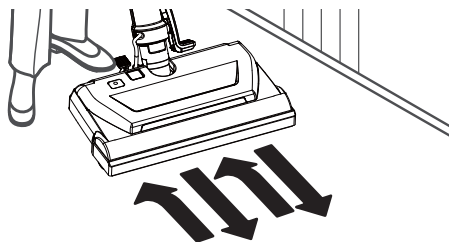
Augmenter  
l'Aspiration

Réduire  
l'Aspiration

## CONSEILS POUR PASSER

### RECOMMANDATION DE BALAYAGE

Pour de meilleurs résultats, l'électro-brosse doit être poussée tout droit devant vous puis être ramenée tout droit vers vous. À la fin de chaque coup de retrait, le sens de la buse doit changer pour se diriger vers la zone suivante de nettoyage. Cette buse doit continuer le long du tapis ou sol avec de lents mouvements de glisse.



**REMARQUE:** Des coups rapides et aléatoires ne nettoient pas complètement.

## ATTENTION

### **Danger Endommagement Produit**

Attention à l'électro-brosse et au manche lorsqu'ils sont en position verticale car ils risquent de basculer facilement. En basculant, ils peuvent provoquer des dégâts matériels.

## AVERTISSEMENT

### **Blessures Corporelles et Danger d'Endommagement du Produit**

- NE PAS passer l'aspirateur par-dessus le cordon électrique. Ceci peut entraîner des blessures corporelles ou endommager le produit.
- NE PAS tirer le cordon électrique pour débrancher du secteur. Si le cordon ou la fiche est endommagé, ceci peut entraîner des blessures corporelles ou des dégâts matériels.

## ESCALIERS

## AVERTISSEMENT

### **Danger Blessure Corporelle**

Attention si le traineau est placé sur les escaliers. Risque de chute, entraînant des blessures corporelles ou des dégâts matériels.

## ATTENTION

### **Danger Endommagement du Produit**

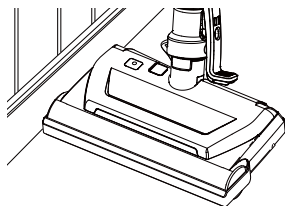
Ne pas tirer sur le tuyau pour déplacer le traineau d'une marche à l'autre. Une fois le nettoyage finit dans une zone, utiliser la poignée sur le traineau pour déplacer l'aspirateur à une nouvelle zone à nettoyer.

Les escaliers équipés de moquettes doivent être aspirés régulièrement. Pour obtenir des résultats de nettoyage optimaux, réglez la commande d'aspiration électronique sur High Power (Puissance élevée).

Pour obtenir des résultats de nettoyage optimaux, maintenez le passage du flux d'air ouvert. Vérifiez de temps à autre l'état de chaque zone de montage dans la section « ÉLIMINATION DES CONGESTIONS » (page 24) afin de détecter des congestions éventuelles. Mettez hors tension, puis débranchez l'aspirateur de la prise avant de procéder aux vérifications.

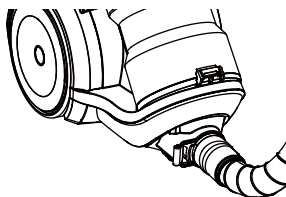
## NETTOYER LES COINS

Des brosses nettoyantes pour les coins se trouvent sur les deux côtés de l'électro-brosse. Tirer n'importe quel côté de la buse le long du mur ou près des meubles pour aspirer la saleté qui se trouve dans les coins du tapis.



## TUYAU PIVOTANT

Le tuyau pivotant à 360° permet au tuyau de tourner sans déplacer le traineau. Ceci permet de nettoyer dans les petites zones. S'assurer que le tuyau n'est pas tordu avant de tirer le traineau.



## RÉGLAGE RECOMMANDÉ POUR LA HAUTEUR DES POILS

Pour de meilleurs résultats de nettoyage en profondeur, utiliser le réglage XLO. Il serait possible de régler plus haut pour faciliter la tâche telle que nettoyer les moquettes ou les sols profonds et pour empêcher l'aspirateur de s'arrêter. Les réglages recommandés sont :

**HI** – Moquettes à long poils, moquettes bouclées, ou carpettes.

**MED** – Poils moyens ou bouclés.

**LO** – Poils courts ou moyens.

**XLO** – La plupart des moquettes et sols nus.

## ACCESSOIRES



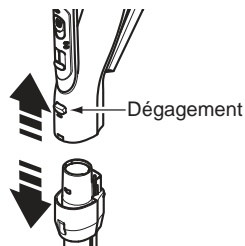
### ATTENTION

NE PAS attacher ou retirer la poignée ou les manches pendant que l'aspirateur est en position **MARCHE**. Ceci peut provoquer des étincelles et endommager les connecteurs électriques ou régulateurs électroniques.

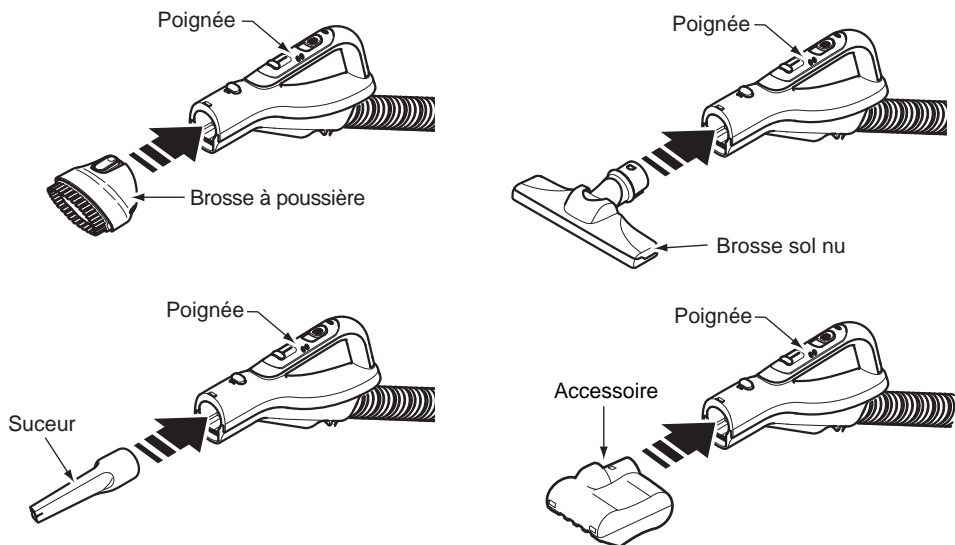
## ACCESSOIRES SUR LA POIGNÉE

**REMARQUE:** Si l'électro-brosse est attachée, mettre l'aspirateur hors tension avant de retirer la poignée du manche.

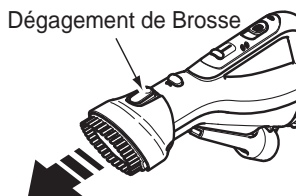
1. Appuyer sur le bouton déclencheur du manche et tirer la poignée vers le haut.



2. Glisser les accessoires fermement sur la poignée au besoin. Voir TABLE UTILISATION ACCESSOIRE (page 21).



**REMARQUE:** Pour retirer la brosse à poussière, appuyer sur le bouton dégagement de brosse et la détacher.

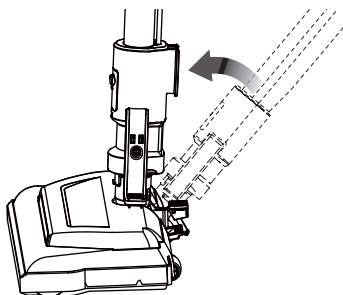


**REMARQUE:** Pour retirer la brosse pour sol nu et/ou accessoire pour poils d'animaux domestiques, appuyer sur le bouton déclencheur du manche et détacher.

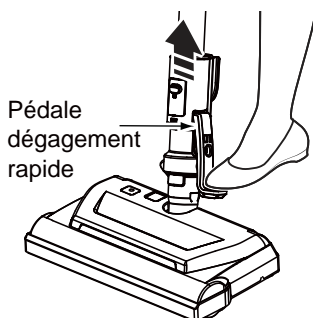


## ACCESSOIRES SUR LE MANCHE

1. Pour retirer le manche de l'électro-brosse, verrouiller le manche en position verticale.

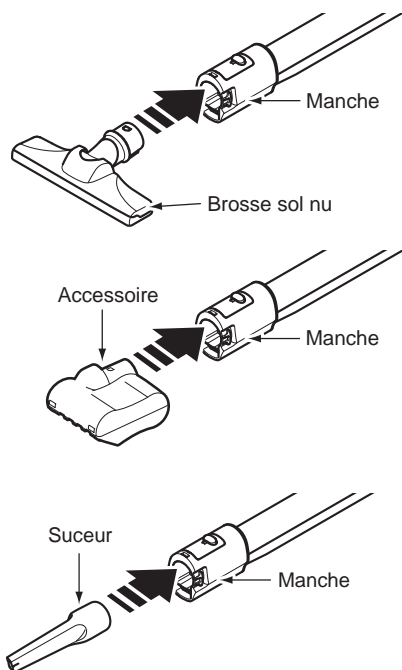


2. Appuyer sur la pédale de dégagement du manche avec le pied et tirer le manche vers le haut en la détachant de la buse.

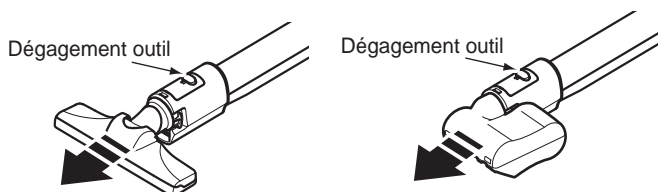




3. Ajouter les accessoires sur le manche au besoin. Voir TABLE UTILISATION ACCESSOIRE (page 21).



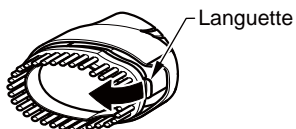
**REMARQUE:** Pour retirer la brosse pour sol nu et/ou l'accessoire pour poils d'animaux domestiques, appuyer sur le bouton dégagement accessoire et détacher.



## BROSSE À DÉPOUSSIÉRER

La brosse à épousseter doit être utilisée sur diverses surfaces. Voir la section « TABLEAU D'UTILISATION DES ACCESSOIRES » (page 21).

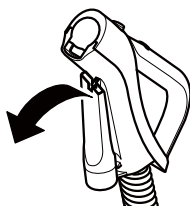
Pour retirer la brosse à épousseter, dégagez-les en appuyant sur l'ergot et en soulevant le support.



Pour le fixer, insérez la languette du support dans la fente de la brosse à épousseter et appuyez jusqu'à ce que la languette s'enclenche, puis appuyez dessus jusqu'à ce que l'ergot s'enclenche.

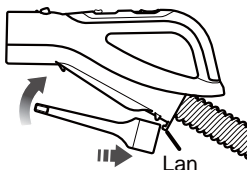
## SUCEUR

étirer le suceur en retirant du côté plat.

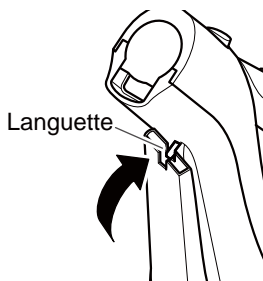


Pour attacher le suceur sur la poignée:






1. Placer le côté arrondi du suceur sur la languette de la poignée comme illustré.



- Aligner la fente sur le côté plat du suceur avec la languette sur la poignée.
- Fixer le suceur sur la poignée jusqu'à ce qu'il se loge en place.



## TABLE D'UTILISATION ACCESSOIRES

ACCESSOIRE	ZONE À NETTOYER						
	Meubles <sup>1</sup>	Entre les Coussins <sup>1</sup>	Rideaux <sup>1</sup>	Escalier	Sols nus	Moquettes/Tapis	Murs
Brosse pour Sol 				√	√		√
Électro- Brosse 					√ <sup>3</sup>	√	
Accessoire Poils d'animaux domestiques 	√			√		√ <sup>4</sup>	
Brosse à poussière 	√		√				√
Suceur 	√	√					

- Toujours nettoyer les accessoires avant toute utilisation sur des tissus.
- Utilisez la pelle à excréments pour animaux familiers pour éliminer les poils d'animaux des surfaces délicates, notamment tissus d'ameublement et rideaux ou tentures. NE PAS utiliser sur des animaux familiers.
- Le commutateur On/Off (Marche/Arrêt) à 3 positions doit être positionné sur HARDFLOOR (Planchers durs).
- Lorsque vous utilisez la pelle ramasse-crottes pour planchers garnis de moquette/tapis, le commutateur On/Off (Marche/Arrêt) à 3 positions doit être positionné sur CARPET (Moquette).

# CARACTÉRISTIQUES DE PERFORMANCES



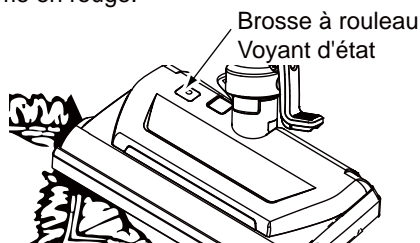
## AVERTISSEMENT

### Risques de blessures corporelles

Toujours mettre hors tension et débrancher l'aspirateur avant de nettoyer la zone de l'agitateur, car celui-ci peut redémarrer brusquement. Le non-respect de cette consigne peut entraîner des blessures corporelles.

## RÉINITIALISATION DU DISPOSITIF DE PROTECTION CONTRE LES SURCHARGES/DE LA COURROIE

Le dispositif de protection contre les surcharges protège le moteur en cas de coincement des brosses et de rupture de la courroie. En cas de ralentissement ou d'arrêt de l'agitateur, le dispositif de protection contre les surcharges désactive la brosse et le voyant d'état de la brosse à rouleau s'allume en rouge.



Pour résoudre ce problème : Mettez hors tension l'aspirateur, éliminez les obstructions, puis remettez-le sous tension. Le voyant d'état de la brosse à rouleau s'éteint.

Si le problème persiste, faites réparer l'aspirateur par un service de réparation Titan Vacuums ou par tout autre service de réparation agréé.

## PROTECTEUR THERMIQUE

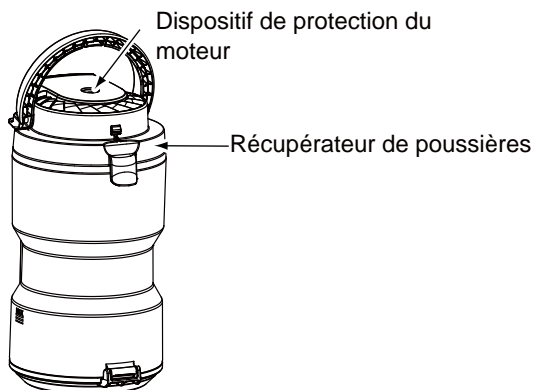
Cet aspirateur possède un protecteur thermique qui se déclenche automatiquement pour protéger l'aspirateur de la surchauffe. Si la circulation d'air vers le moteur est bloquée, le protecteur thermique éteint le moteur automatiquement. Ceci permet au moteur de se refroidir pour éviter d'endommager l'aspirateur.

Pour corriger le problème : Éteindre l'aspirateur et le débrancher pour permettre à l'aspirateur de se refroidir et au protecteur thermique de se réinitialiser. Vérifier s'il y a une obstruction et la retirer, si besoin.

Voir RETIRER LES OBSTRUCTIONS (page 24). Vérifier aussi et remplacer les filtres bouchés. Attendre environ cinquante (50) minutes avant de brancher l'aspirateur et le mettre en marche pour vérifier si le protecteur thermique a été réinitialisé.

## DISPOSITIF DE PROTECTION DU MOTEUR

Cet aspirateur est également équipé d'une soupape de dérivation du dispositif de protection du moteur qui empêche toute surchauffe et tout endommagement du moteur. La soupape s'ouvre pour fournir de l'air de refroidissement lorsqu'une congestion empêche le flux d'air normal vers le moteur d'aspiration de l'aspirateur. Vous remarquerez un changement sonore lorsque l'air pénètre par l'ouverture de la soupape.



Pour résoudre ce problème : Videz le récupérateur de poussières, puis nettoyez le filtre principal et le pré-filtre. Vérifiez la présence de congestions, puis éliminez celles-ci. Ensuite, videz le récupérateur de poussières, au besoin. Voir ÉLIMINATION DES CONGESTIONS (page 24).

**REMARQUE:** Ne pas bloquer le dispositif de protection du moteur.

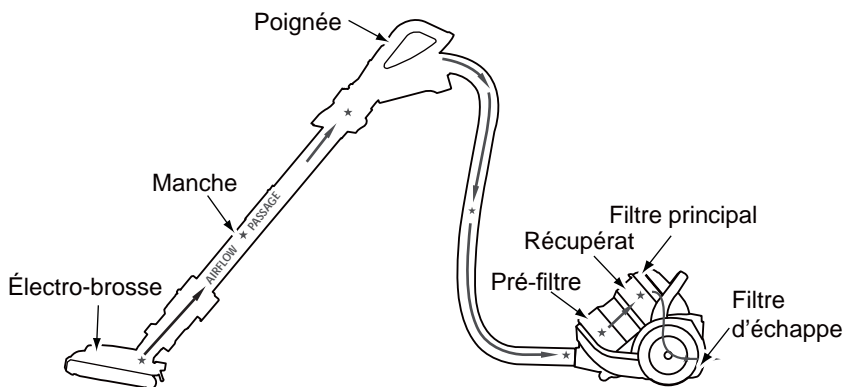
**REMARQUE:** Le dispositif de protection de moteur peut s'ouvrir lors de l'utilisation d'accessoires ou lors du nettoyage d'un nouveau tapis en raison du flux d'air réduit causé par les accessoires eux-mêmes ou par un nouveau tapis.

# ÉLIMINATION DES CONGESTIONS

## ÉLIMINATION DES CONGESTIONS

L'aspirateur crée une aspiration pour aspirer la saleté. L'air qui se déplace rapidement porte la saleté jusqu'au sac à poussière à travers les passages de circulation d'air. Le sac à poussière laisse l'air s'infiltrer tout en enfermant la saleté.

Pour de meilleurs résultats de nettoyage, laisser le passage d'air libre. Vérifier les espaces marqués d'une étoile ( \* ) de temps en temps pour les obstructions. Éteindre et débrancher l'aspirateur avant de vérifier.



### POUR VÉRIFIER LA PRÉSENCE DE CONGESTIONS

- Vérifiez le récupérateur de poussières, puis videz-le s'il est plein. Voir VIDANGE DU RÉCUPÉRATEUR DE POUSSIÈRES (page 25).
- Vérifiez l'état du pré-filtre, du filtre principal et du filtre d'évacuation, puis nettoyez-les/remplacez-les s'ils sont sales. Voir NETTOYAGE DU PRÉ-FILTRE (page 28), NETTOYAGE DU FILTRE PRINCIPAL (page 29) et REMPLACEMENT DU FILTRE D'ÉVACUATION (page 31).
- Vérifiez l'état de la buse de plancher motorisée afin de détecter des saletés ou des débris éventuels dans la zone de passage de la courroie ou dans la zone de l'agitateur. Éliminez avec précaution tous fils ou débris coincés sur l'agitateur ou les capuchons. Voir POUR NETTOYER L'AGITATEUR (page 38).

Si l'aspirateur n'aspire toujours pas proprement, procéder aux étapes suivantes:

1. Connecter le tuyau au traineau et mettre l'aspirateur en marche. Vérifier l'embout aspirant du tuyau. Si vous sentez que la poignée du tuyau aspire, c'est qu'il n'y a pas d'obstruction dans le tuyau. Sinon, retirer toute saleté ou débris qui se trouve dans le tuyau et la poignée.
2. Connecter la poignée du tuyau au manche. Vérifier le bout du manche pour l'aspiration. Si vous sentez qu'il y a une aspiration au bout du manche, c'est qu'il n'y a pas d'obstruction dans le manche. Sinon, retirer toute saleté ou débris du manche.
3. Vérifier la rotation de la buse. Retirer toute saleté ou débris.

# NETTOYAGE DE L'EXTERIEUR ET DES ACCESSOIRES

1. Mettre l'aspirateur hors tension et le débrancher. NE PAS faire tomber de l'eau sur l'aspirateur.
2. Pour nettoyer l'extérieur ou pour réduire l'électricité statique et l'accumulation de poussière, essuyer la surface extérieure à l'aide d'un chiffon doux et propre préalablement imbibé d'une solution de détergent liquide doux et de l'eau puis essorer. Après le nettoyage, sécher avec un torchon.

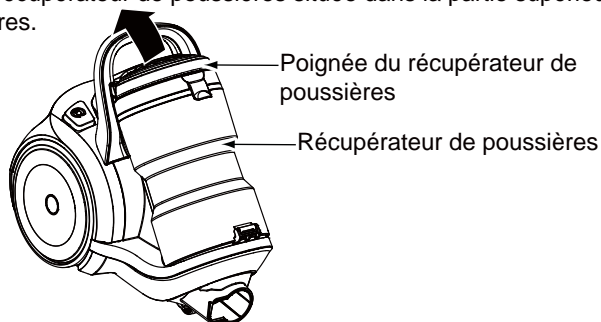
## ATTENTION

Ne pas utiliser les accessoires lorsqu'ils sont mouillés. Les accessoires utilisés dans des zones sales, tel que sous le réfrigérateur, ne doivent pas être utilisés sur d'autres zones avant d'être lavés. Ils peuvent laisser des traces.

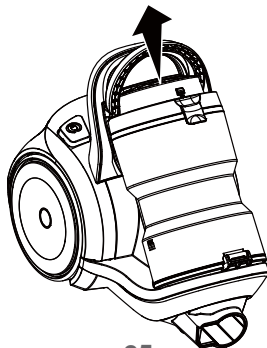
# VIDANGE DU RÉCUPÉRATEUR DE POUSSIÈRES

## POUR RETIRER LE RÉCUPÉRATEUR DE POUSSIÈRES

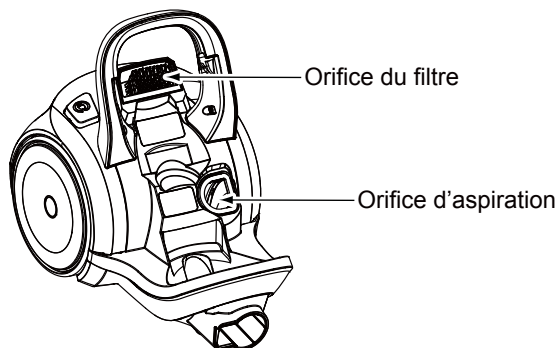
1. Mettez hors tension l'aspirateur, puis débranchez-le.
2. Soulevez la poignée du récupérateur de poussières située dans la partie supérieure du récupérateur de poussières.



3. Tirez la poignée vers le haut, puis soulevez le récupérateur de poussières pour l'extraire de l'aspirateur.

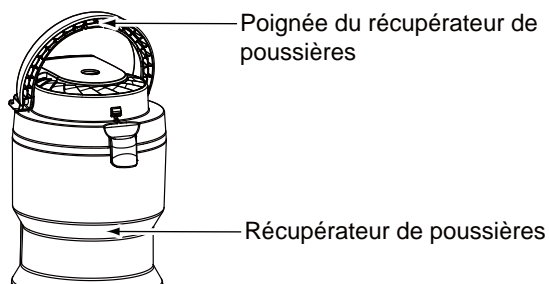


4. Éliminez toutes les congestions présentes dans l'orifice d'aspiration ou dans la zone de l'orifice du filtre.

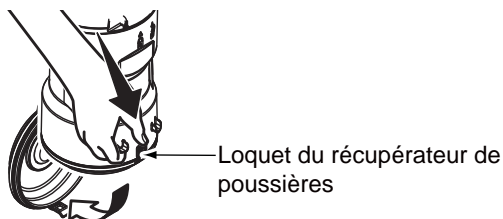


## POUR VIDER LE RÉCUPÉRATEUR DE POUSSIÈRES

1. Positionnez la poignée du récupérateur de poussières à la verticale.

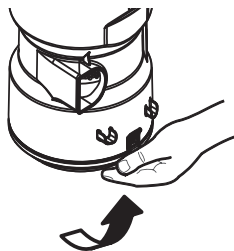


2. Tenez le récupérateur de poussières au-dessus d'une poubelle.  
3. Appuyez légèrement sur le loquet du récupérateur de poussières vers l'extérieur, puis vers le bas pour libérer la porte. La porte s'ouvre en pivotant et les débris tombent dans la poubelle.



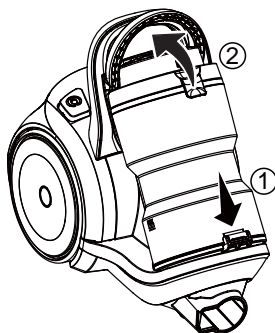


4. Secouez le récupérateur de poussières pour libérer tous les débris susceptibles de s'accrocher dans le pré-filtre.
5. Une fois le récupérateur de poussières vide de débris, fermez la porte solidement. Assurez-vous d'entendre un « déclic » qui indique que la porte est complètement verrouillée.

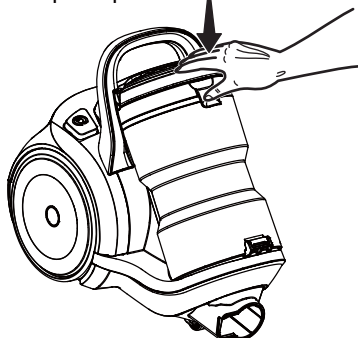


## POUR REMPLACER LE RÉCUPÉRATEUR DE POUSSIÈRES

1. Remettez le récupérateur de poussières dans l'aspirateur en insérant en premier lieu le fond, puis en l'inclinant vers l'arrière avec la poignée du récupérateur de poussières montée.



2. Abaissez la poignée du récupérateur de poussières afin de verrouiller le récupérateur de poussières en place. Un « déclic » perceptible doit s'entendre.



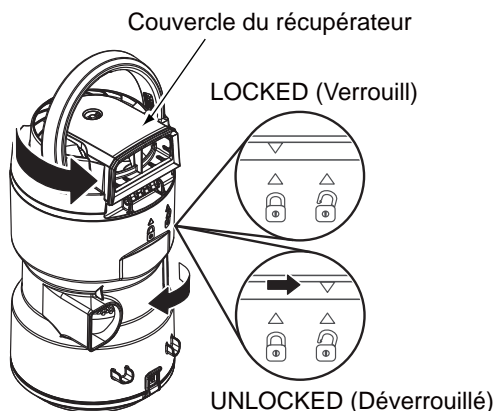
# NETTOYAGE DU PRÉ-FILTRE

Le pré-filtre se trouve à l'intérieur du récupérateur de poussières. Vérifiez fréquemment l'état du pré-filtre, puis nettoyez-le lorsqu'il est sale.

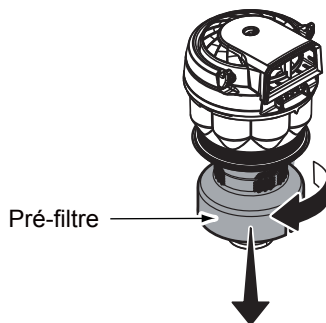
1. Retirez le récupérateur de poussières ainsi qu'indiqué dans la section **POUR RETIRER LE RÉCUPÉRATEUR DE POUSSIÈRES** (page 25).

**REMARQUE:** Assurez-vous que le récupérateur de poussières est exempt de débris avant de l'ouvrir.

2. Faites tourner le couvercle du récupérateur de poussières dans le sens inverse des aiguilles d'une montre ainsi qu'indiqué sur le couvercle, puis soulevez-le.



3. Saisissez le pré-filtre, puis faites-le tourner dans le sens inverse des aiguilles d'une montre pour le retirer.



4. Nettoyez le pré-filtre en le tapotant délicatement au-dessus d'une poubelle. Tapotez sur plusieurs côtés afin de garantir un nettoyage optimal.

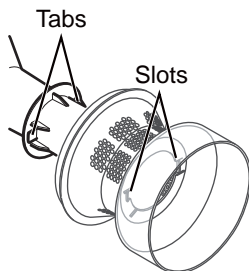
Au besoin, rincez-le à l'eau froide uniquement. **NE PAS** utiliser de détergents ou du savon. Laissez sécher les pièces pendant 24 heures avant de les remettre dans l'aspirateur.

**NE PAS laver le pré-filtre au lave-vaisselle.**

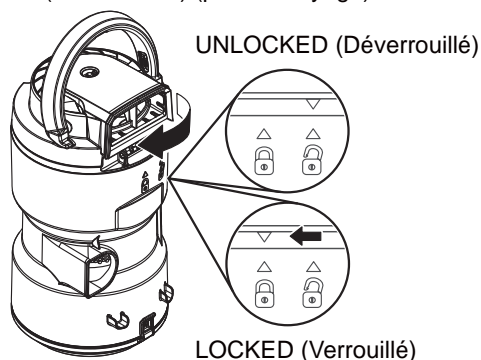
**NE PAS installer le pré-filtre s'il est humide.**

### Pour le réinstaller:

1. Alignez les fentes du pré-filtre sur les ergots d'alignement qui se trouvent à l'intérieur du couvercle du récupérateur de poussières.



2. Faites tourner le pré-filtre dans le sens des aiguilles d'une montre pour le verrouiller.
3. Remplacez la partie inférieure du récupérateur de poussières en alignant les repères ainsi qu'indiqué, UNLOCKED (Déverrouillé) (pour nettoyage).



4. Faites tourner tout en appuyant dessus jusqu'à ce que les repères s'alignent ainsi qu'indiqué, LOCKED (Verrouillé) (pour utilisation).
5. Réinstallez le récupérateur de poussières. Voir **POUR REMPLACER LE RÉCUPÉRATEUR DE POUSSIÈRES** (page 27).

## NETTOYAGE DU FILTRE PRINCIPAL

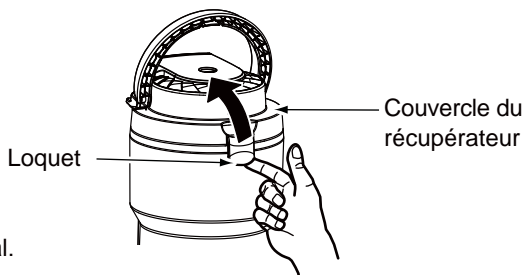
Le filtre principal se trouve à l'intérieur du couvercle du récupérateur de poussières.



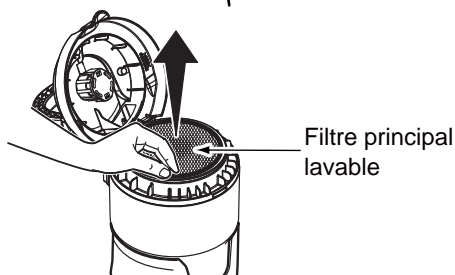
Nous vous recommandons de nettoyer le filtre principal à l'eau froide au moins tous les mois. Vérifiez fréquemment l'état du filtre principal, puis nettoyez-le lorsqu'il est sale.

**REMARQUE:** Lorsque le nettoyage du filtre ne rétablit plus la puissance d'aspiration de l'aspirateur, remplacez le filtre.

1. Retirez le récupérateur de poussières ainsi qu'indiqué dans la section **POUR RETIRER LE RÉCUPÉRATEUR DE POUSSIÈRES** (page 25).
2. Tirez sur le loquet du couvercle du récupérateur de poussières, puis ouvrez le couvercle.



3. Retirez le filtre principal.



4. Lavez-le à l'eau froide uniquement. **NE PAS** utiliser de détergents ou du savon. Pressez-le à la main, puis laissez-le sécher à l'air libre. Laissez sécher les pièces pendant 24 heures avant de les remettre dans l'aspirateur.

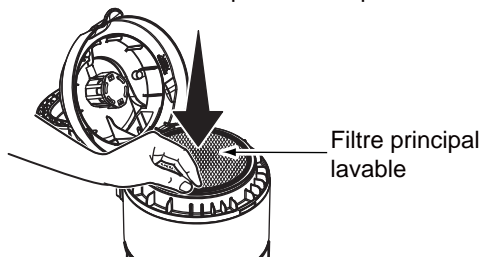
**NE PAS utiliser l'aspirateur sans le filtre principal installé.**

**NE PAS laver le filtre au lave-vaisselle.**

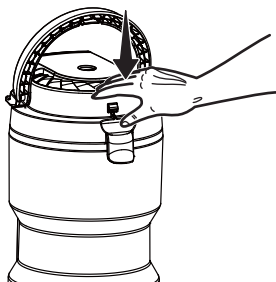
**NE PAS installer le filtre principal s'il est humide.**

**Pour le réinstaller:**

1. Placez le filtre principal dans le couvercle du récupérateur de poussières.



2. Fermez le couvercle du récupérateur de poussières. Assurez-vous que le couvercle s'enclenche. Un « déclic » perceptible doit s'entendre.



3. Réinstallez le récupérateur de poussières. Voir POUR REMPLACER LE RÉCUPÉRATEUR DE POUSSIÈRES (page 27).

## NETTOYAGE DU FILTRE D'ÉVACUATION



### AVERTISSEMENT

Risque d'incendie et/ou d'électrocution

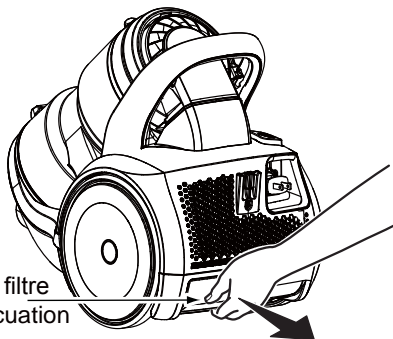
Ne pas utiliser avec un filtre d'évacuation encrassé ni sans le filtre d'évacuation ou le bac à filtre d'évacuation installé.

## FILTRE D'ÉVACUATION HEPA

La cartouche du filtre d'évacuation doit être remplacée lorsqu'elle est sale. Remplacez le filtre d'évacuation lorsque la totalité de la superficie est couverte uniformément. IMPOSSIBLE de laver le filtre d'évacuation, car celui-ci risque de perdre sa capacité à retenir les poussières.

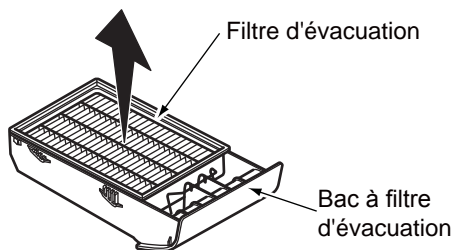
**REMARQUE:** Pour utiliser le filtre d'évacuation de rechange, voir le numéro de référence de la pièce dans la section PIÈCES DE RECHANGE (page 7).

1. Tirez le bac à filtre d'évacuation vers le haut pour le retirer du traîneau.

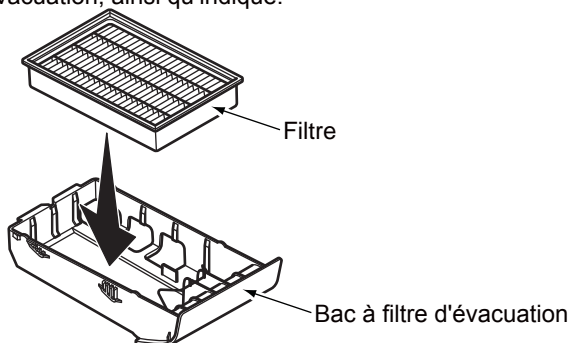


Bac à filtre  
d'évacuation

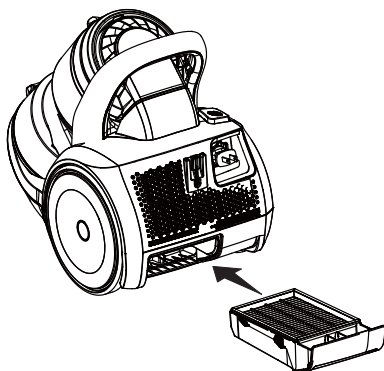
2. Retirez le filtre d'évacuation du bac à filtre, puis mettez-le au rebut correctement.



3. Remplacez la cartouche filtrante d'évacuation. Placez la nouvelle cartouche filtrante dans le bac à filtre d'évacuation, ainsi qu'indiqué.

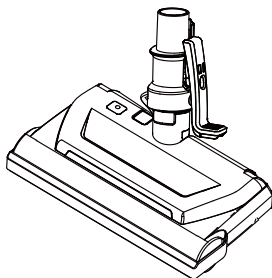


4. Réinstallez le bac à filtre d'évacuation. Appuyez dessus jusqu'à ce qu'il s'enclenche.



# SOIN DE L'ÉLECTRO-BROSSE

Il faut toujours respecter les mesures de sécurité lors de l'entretien de l'électro-brosse.



## AVERTISSEMENT

### Danger de Choc Électrique ou Blessure Corporelle

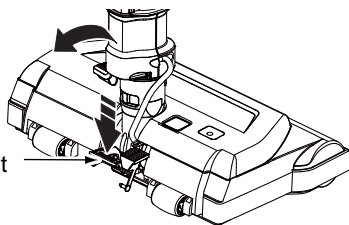
Il faut toujours mettre l'aspirateur hors tension avant d'effectuer l'entretien. Sinon risque de choc électrique ou blessure corporelle au cas où l'aspirateur se met en marche soudainement.

## CHANGEMENT DE LA COURROIE ET NETTOYAGE DE L'AGITATEUR

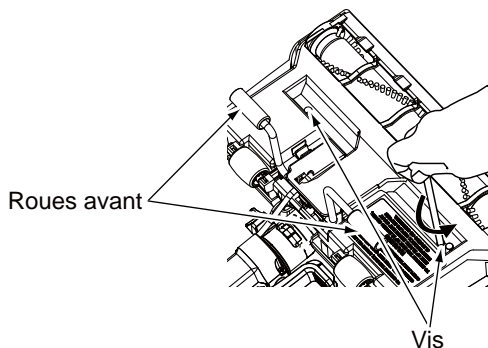
### POUR RETIRER LA COURROIE

1. Mettez hors tension l'aspirateur, puis débranchez-le. Retirez le tube-rallonge de la buse de plancher motorisée.
2. Appuyez sur la pédale de dégagement de la poignée pour abaisser celle-ci de la position verticale.

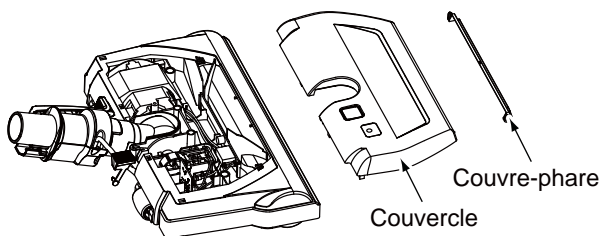
Pédale de  
dégagement  
de la



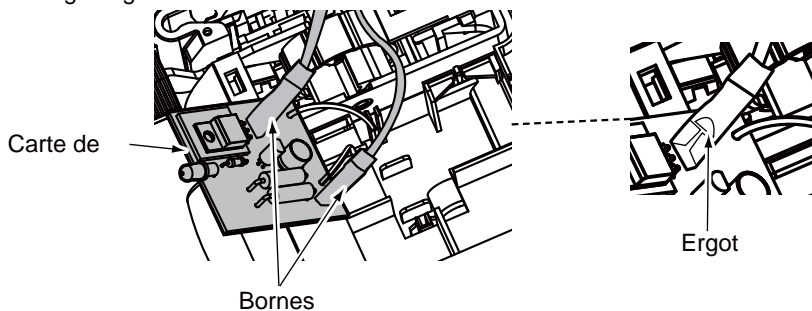
3. Retournez la buse de plancher motorisée.
4. Soulevez les roues avant pour découvrir les deux (2) vis. Desserrez les deux vis.



5. Tournez la buse à l'endroit. Retirez le couvercle supérieur et le couvre-phare.

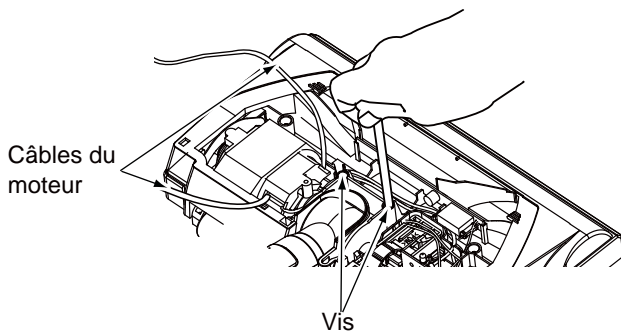


6. Tirez la carte de circuit imprimé hors de son emplacement pour identifier les deux bornes, ainsi qu'indiqué. Appuyez sur le petit ergot situé sur les bornes pour retirer les deux (2) bornes de la carte de circuit imprimé. Dégagez les deux câbles du moteur des fentes de guidage.

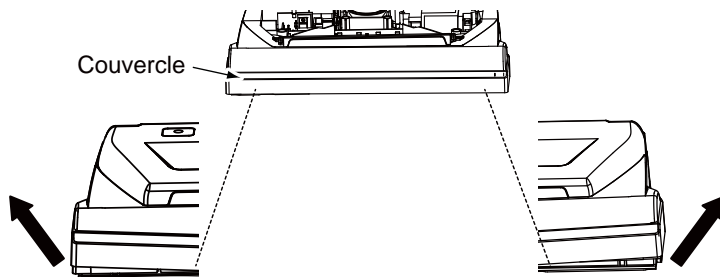




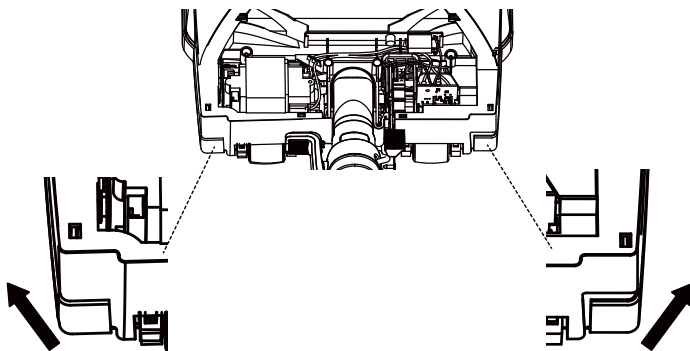
7. Retirez les deux (2) vis du couvercle central.



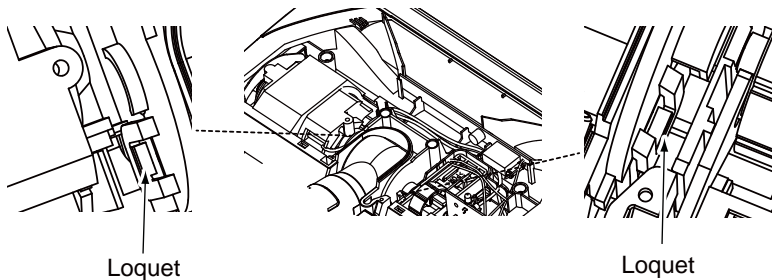
8. Saisissez fermement un côté de la partie avant du couvercle central, puis tirez-le dehors. Ensuite, saisissez un autre côté, puis tirez-le dehors.



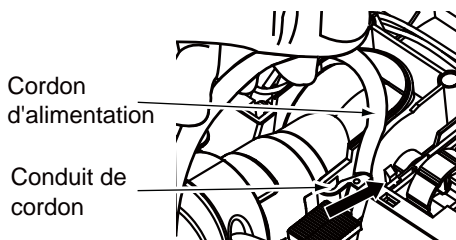
9. Saisissez fermement les deux côtés de la partie arrière du couvercle central, puis tirez-le dehors.



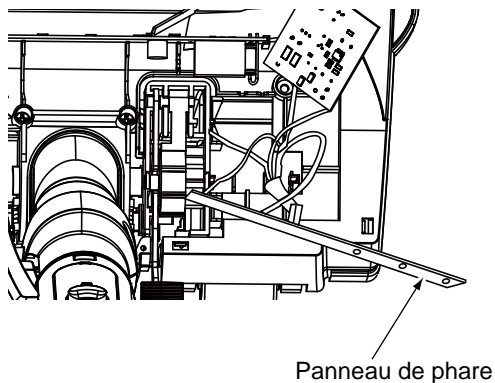
10. Assurez-vous que les deux loquets situés dans la zone de la poignée sont dégagés ainsi qu'indiqué. Assurez-vous que tout le couvercle central est dégagé de la base.



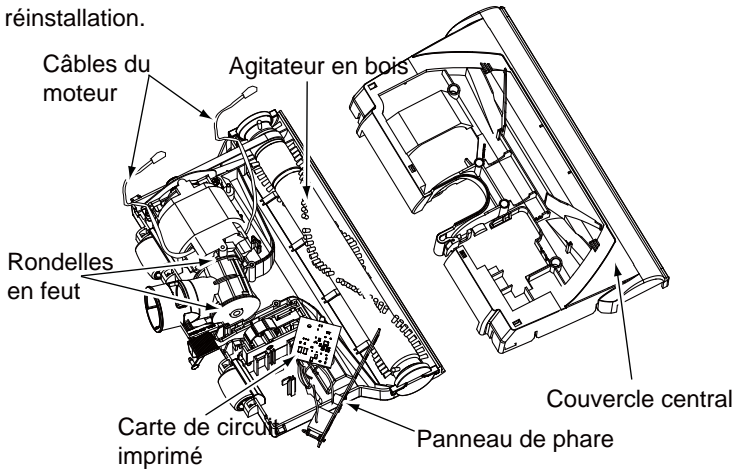
11. Retirez le cordon d'alimentation de la buse du conduit de cordon.



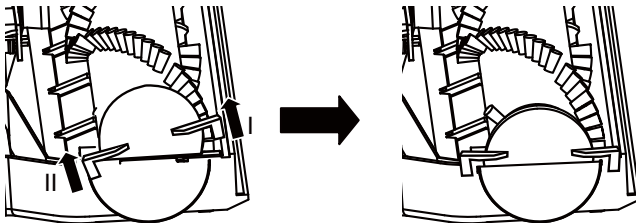
12. Dégagez le panneau de phare de la fente.



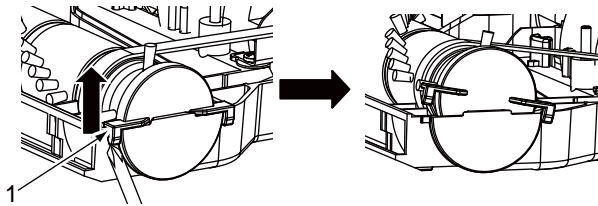
13. Retirez le couvercle central. Tirez délicatement la carte de circuit imprimé et le panneau de phare à travers le couvercle central. Ensuite, tirez les deux câbles du moteur à travers le couvercle central. Faites attention à bien réserver les deux rondelles en feutre pour la réinstallation.



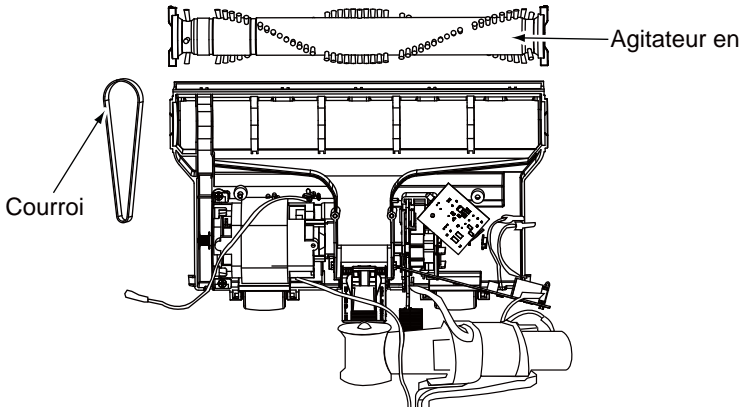
14. Pour retirer l'agitateur en bois, commencez par retirer son côté non-courroie. Soulevez le capuchon ainsi qu'indiqué, puis dégager le côté non-courroie de la base.



15. Retirez le côté courroie de l'agitateur. Utilisez un outil approprié (p. ex., un tournevis) pour dégager avec précaution le capuchon à la position 1, ainsi qu'indiqué, puis dégager le côté courroie de la base.



16. Retirez l'agitateur en bois et la courroie usée.



17. Vérifiez l'état de l'agitateur en bois et de la courroie, puis nettoyez-les. Voir la section AGITATEUR (page 38) pour une image de l'ensemble de l'agitateur.

## POUR NETTOYER L'AGITATEUR

**REMARQUE:** Afin de maintenir une efficacité de nettoyage élevée et d'éviter d'endommager votre aspirateur, l'agitateur doit être nettoyé chaque fois que vous remplacez la courroie.

L'agitateur doit également être nettoyé selon le calendrier suivant:

### Utilisation de l'aspirateur

FORTE : (utilisé quotidiennement)

MODÉRÉE : (utilisé 2 à 3 fois/semaine)

FAIBLE : (utilisé 1 fois/semaine)

### Nettoyage de l'agitateur

toutes les semaines

tous les mois

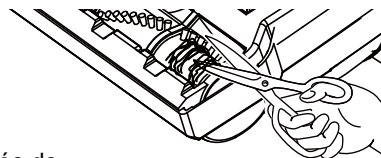
tous les 2 mois

## IMPORTANT

Mettez hors tension, puis débranchez l'aspirateur de la prise de courant. Vérifiez son état, puis éliminez fréquemment toute accumulation de poils ou cheveux, de ficelles et de peluches dans l'agitateur de la buse de plancher motorisée et des zones des capuchons.

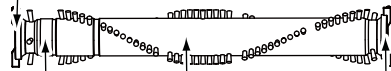
Éliminez toutes saletés ou tous débris de la zone du passage de la courroie ou de la zone de la brosse à rouleau.

Éliminez avec précaution tous fils ou débris coincés sur l'agitateur ou les capuchons.



Butée de

### MONTAGE DE



Passage

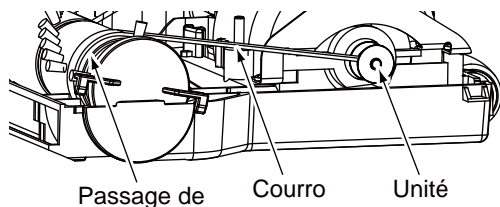
Unité de

Butée de

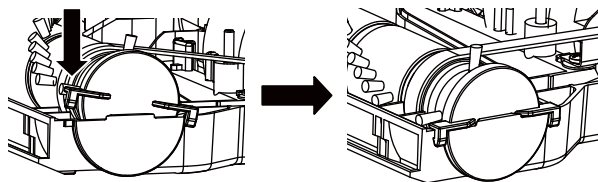
## POUR REMPLACER LA COURROIE

**REMARQUE:** Pour utiliser la courroie de rechange, voir le numéro de référence de la pièce dans la section PIÈCES DE RECHANGE (page 7).

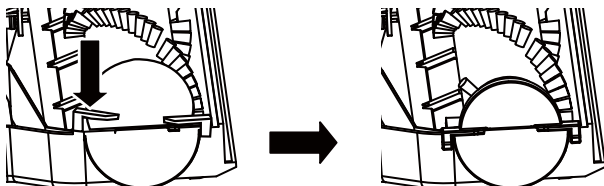
1. Installez la nouvelle courroie sur l'unité d'entraînement du moteur, puis sur le passage de la courroie.



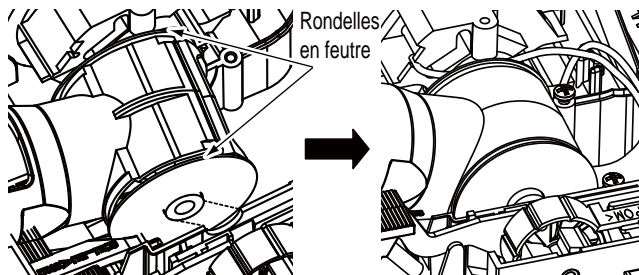
2. Réinstallez le côté courroie de l'agitateur dans la base. Remettez le capuchon en place, puis appuyez fermement dessus, ainsi qu'indiqué, jusqu'à ce qu'il se verrouille en place.



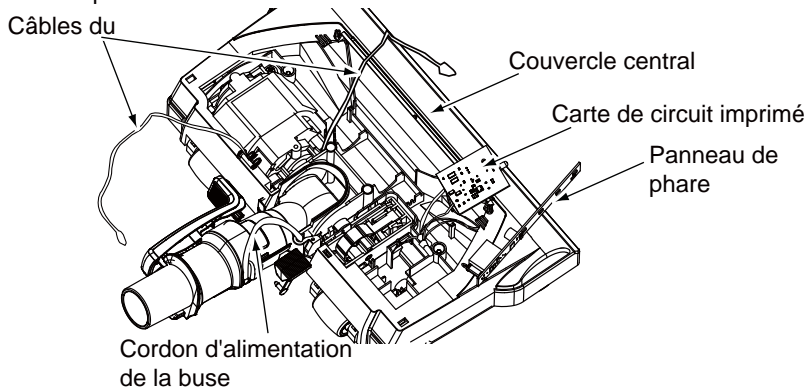
3. Installez le côté non-courroie de l'agitateur. Remettez le capuchon en place, puis appuyez dessus, ainsi qu'indiqué jusqu'à ce qu'il se verrouille en place.



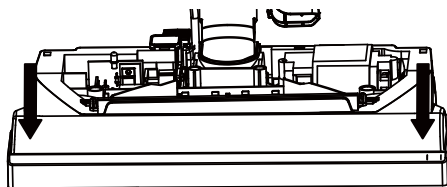
4. Réinstallez les deux rondelles en feutre sur la poignée dans les positions correctes, ainsi qu'indiqué, avant de réinstaller le couvercle central.



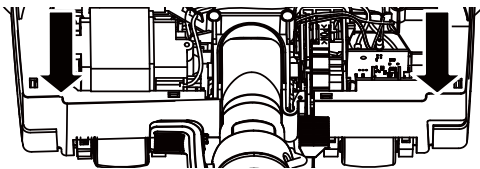
5. Faites passer la carte de circuit imprimé, le panneau de phare et les deux câbles du moteur à travers le couvercle central, puis remplacez le couvercle central sur la base. Assurez-vous que les deux rondelles en feutre sont entièrement recouvertes par le couvercle central. Remplacez le cordon d'alimentation de la buse dans son conduit.



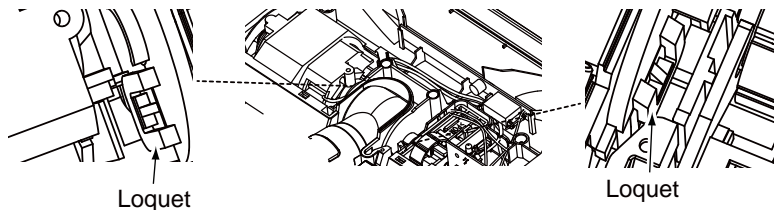
6. Appuyez fermement des deux côtés de la partie avant du couvercle central jusqu'à ce qu'elle s'enclenche.



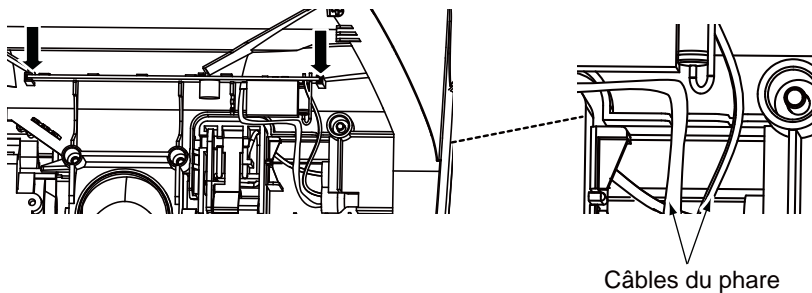
7. Appuyez fermement des deux côtés de la partie arrière du couvercle central jusqu'à ce qu'elle s'enclenche.



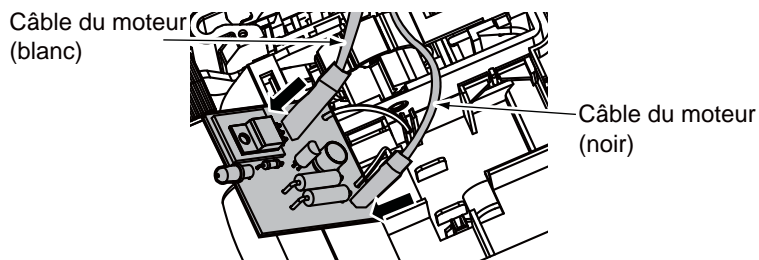
8. Assurez-vous que les deux loquets situés dans la zone de la poignée sont correctement verrouillés, ainsi qu'indiqué. Assurez-vous qu'il n'y a pas d'espace entre le couvercle central et la base.



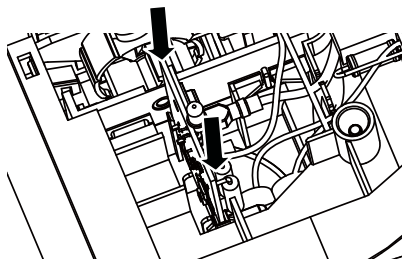
9. Remplacez le panneau de phare dans la fente. Faites passer les câbles du phare (blanc et noir) par les fentes de guidage, ainsi qu'indiqué



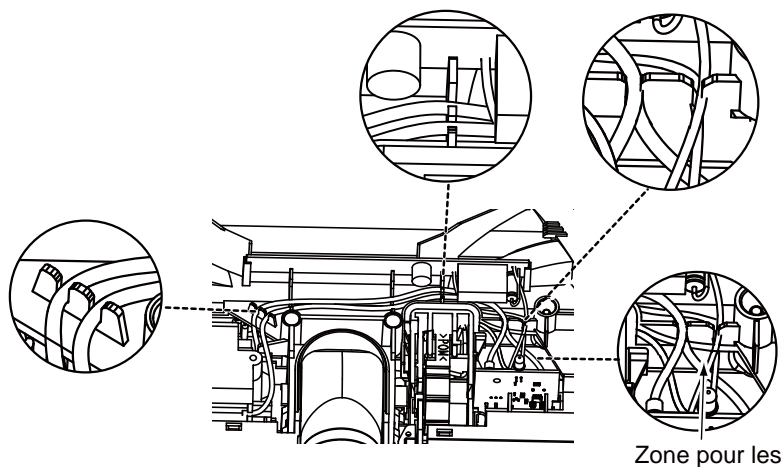
10. Raccordez les deux bornes à la carte de circuit imprimé. Assurez-vous que les câbles blanc et noir du moteur sont raccordés à la position correcte, ainsi qu'indiqué.



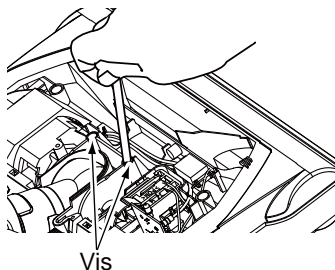
11. Réinsérez la carte de circuit imprimé dans la fente, ainsi qu'indiqué.



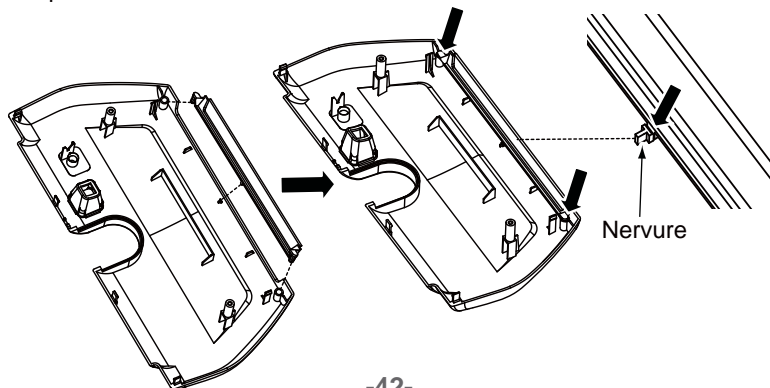
12. Faites passer les câbles du moteur blanc et noir le long des fentes de guidage de manière droite. Placez les câbles redondants sous le couvercle central, ainsi qu'indiqué.



13. Installez les deux (2) vis du couvercle central.

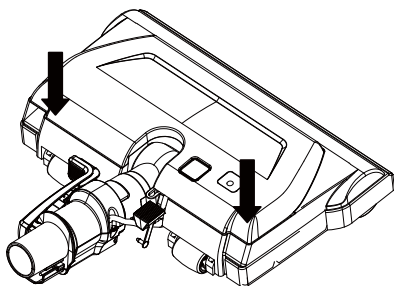


14. Alignez le couvre-phare sur le couvercle supérieur, puis insérez le couvre-phare dans le couvercle supérieur. Assurez-vous que la nervure située sur le couvercle supérieur et le couvre-phare sont convenablement raccordés.

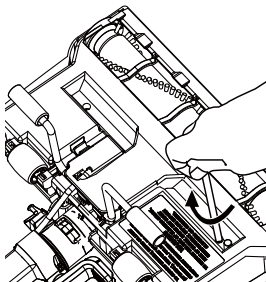




15. Remettez en place le couvercle supérieur et le couvre-phare. Appuyez fermement sur le couvercle jusqu'à ce qu'il s'enclenche. Assurez-vous qu'il n'y a pas d'espace entre le couvercle supérieur et le couvercle central.



16. Retournez la buse de plancher motorisée, puis remettez en place deux (2) vis de protection sous les roues avant. Remettez en place les roues avant.



# ENTRETIEN DE L'AGITATEUR



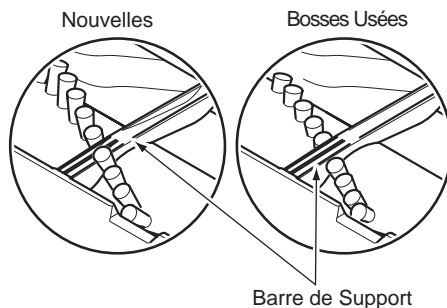
## AVERTISSEMENT

### Danger de Choc Électrique ou Blessure Corporelle

Il faut toujours mettre l'aspirateur hors tension avant d'effectuer l'entretien. Sinon il existe un risque de choc électrique ou de blessure corporelle au cas où l'aspirateur se met en marche soudainement.

## TO CHECK THE BRUSHES

When brushes are worn to the level of the base support bars, replace the agitator assembly.



## POUR REMPLACER L'AGITATEUR

1. Retirez le couvercle supérieur de la buse de plancher motorisée, le couvercle central, la courroie et l'agitateur en bois. Voir la section « POUR RETIRER LA COURROIE » dans le chapitre CHANGEMENT DE LA COURROIE ET NETTOYAGE DE L'AGITATEUR (page 33-38).
2. Remplacer l'agitateur. Consultez votre liste de pièces de rechange pour connaître le numéro de pièce.
3. Réinstallez l'agitateur et les couvercles de buse de plancher motorisée. Voir la section « POUR REMPLACER LA COURROIE » dans le chapitre CHANGEMENT DE LA COURROIE ET NETTOYAGE DE L'AGITATEUR (page 39-43).

# DÉPANNAGE

Consultez ce tableau pour trouver des solutions de bricolage pour tous problèmes mineurs de performances. Tout autre service nécessaire doit être effectué par un service de réparation Titan Vacuums ou tout autre service de réparation agréé



## AVERTISSEMENT

Toujours mettre hors tension et débrancher l'aspirateur avant de procéder à son entretien. Le non-respect de cette disposition vous expose à des risques d'électrocution ou à des blessures corporelles.

PROBLÈME	CAUSE POSSIBLE	SOLUTION
Impossible de démarrer l'aspirateur.	La fiche n'est pas branchée à la prise de courant.	Assurez-vous que la fiche du cordon d'alimentation est correctement branchée à la prise. Positionnez le commutateur sur HARDFLOOR (Planchers durs) ou sur CARPET (Tapis).
	Disjoncteur déclenché ou fusible grillé au niveau du panneau de service de la maison.	Réenclenchez le disjoncteur ou remplacez le fusible.
	Mauvais branchements électriques.	Raccordez les extrémités du tuyau (page 9-10).
Mauvaise aspiration de saletés ou puissance d'aspiration faible.	Récupérateur de poussières plein ou encrassé.	Videz et nettoyez le récupérateur de poussières (page 25-27).
	Passages du flux d'air bouchés.	Dégagez les passages du flux d'air (page 24).
	Filtres sales.	Nettoyez/remplacez les filtres (page 28-32).
	Mauvais réglage de la hauteur des poils.	Ajustez le réglage (page 16).
	La commande d'aspiration électronique est positionnée sur Low Power (Faible puissance).	Réglez la commande d'aspiration électronique (page 14).

	Tuyau percé.	Remplacez le tuyau.
	Agitateur de la buse sale.	Changez l'agitateur (page 33-44).
	Courroie usée ou coupée.	Voir la section CHANGEMENT DE LA COURROIE ET NETTOYAGE DE L'AGITATEUR (page 33-43).
	Agitateur ou capuchons sales.	Voir la section CHANGEMENT DE LA COURROIE ET NETTOYAGE DE L'AGITATEUR (page 33-43).
	Récupérateur de poussières mal installé.	Voir la section VIDANGE DU RÉCUPÉRATEUR DE POUSSIÈRES (page 25-27).
	Couvercle du récupérateur de poussières et récupérateur de poussières mal montés.	Voir la section NETTOYAGE DU PRÉ-FILTRE (page 28-29).
L'aspirateur démarre mais se met hors tension.	Mauvais branchements électriques du tuyau ou du capot.	Vérifiez les branchements ; rebranchez les extrémités du tuyau (page 9-10).
	Déclenchement du dispositif de protection contre les surcharges dans la buse de plancher motorisée.	Mettez hors tension l'aspirateur, puis retirez tous les objets ayant éventuellement été happés ou coincés, puis redémarrez-le. Si l'aspirateur démarre, puis s'arrête à nouveau, nettoyez l'agitateur et les capuchons, puis réinitialisez-le (page 22).
	Déclenchement du dispositif de protection thermique dans le traîneau.	Voir la section « DISPOSITIF DE PROTECTION THERMIQUE » (page 22).
La buse de plancher motorisée ne fonctionne pas lorsque vous la fixez.	Les branchements de la buse sont débranchés.	Branchez-les fermement.

	Courroie usée ou coupée.	Voir la section « CHANGEMENT DE LA COURROIE ET NETTOYAGE DE L'AGITATEUR » (page 33-43).
	Agitateur ou capuchons sales.	Voir la section « CHANGEMENT DE LA COURROIE ET NETTOYAGE DE L'AGITATEUR » (page 33-43).
	Déclenchement du dispositif de protection contre les surcharges dans la buse de plancher motorisée.	Mettez hors tension l'aspirateur, puis retirez tous les objets ayant éventuellement été happés ou coincés, puis redémarrez-le. Si l'aspirateur démarre, puis s'arrête à nouveau, nettoyez l'agitateur et les capuchons, puis réinitialisez-le (page 22).
	Commutateur non positionné sur CARPET (Tapis).	Positionnez le commutateur sur CARPET (Tapis) (page 13-14).
L'aspirateur aspire des tapis mobiles ou la buse exerce des pressions excessives.	Mauvais réglage de la hauteur des poils.	Ajustez le réglage (page 16).
	Aspiration trop forte.	Réglez la commande d'aspiration électronique afin de réduire l'aspiration (page 14).
Le phare ne fonctionne pas.	Ampoule LED grillée.	Faites réparer l'aspirateur par un service de réparation Titan Vacuums ou tout autre service de réparation agréé afin de remplacer l'ampoule LED.
Le cordon ne s'enroule pas.	Cordon d'alimentation sale.	Nettoyez le cordon d'alimentation.
	Cordon coincé.	Tirez le cordon pour l'extraire, puis rembobinez-le (page 12-13).
L'aspirateur laisse des marques sur le tapis.	Mauvais mouvement d'aspiration.	Voir la section « CONSEILS D'ASPIRATION » (page 14-16).